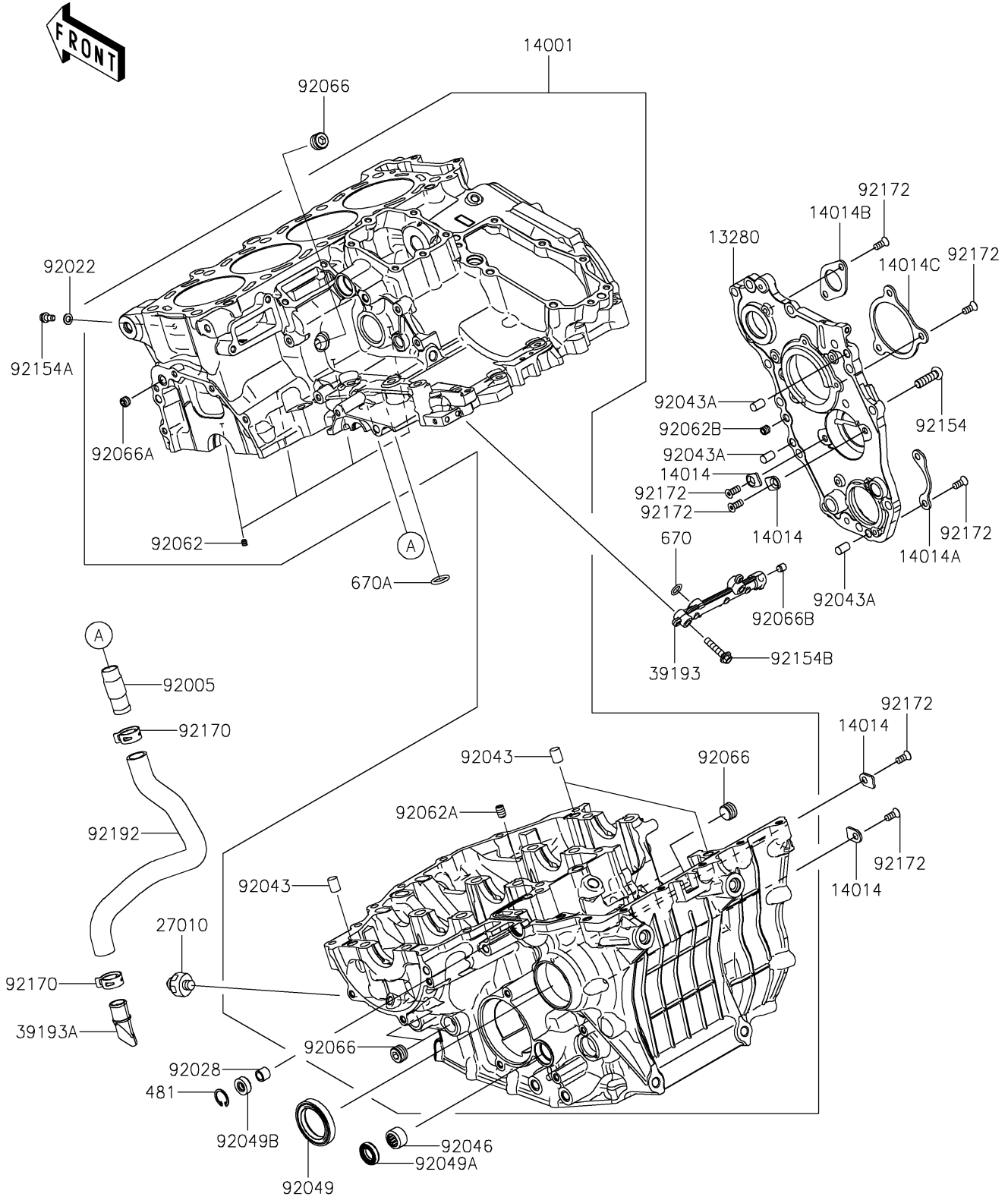


2024 Z H2 SE ABS

PARTS DIAGRAM

Crankcase

E1411



2024 Z H2 SE ABS

PARTS LIST

Crankcase



ITEM NAME	PART NUMBER	QUANTITY
-----------	-------------	----------
