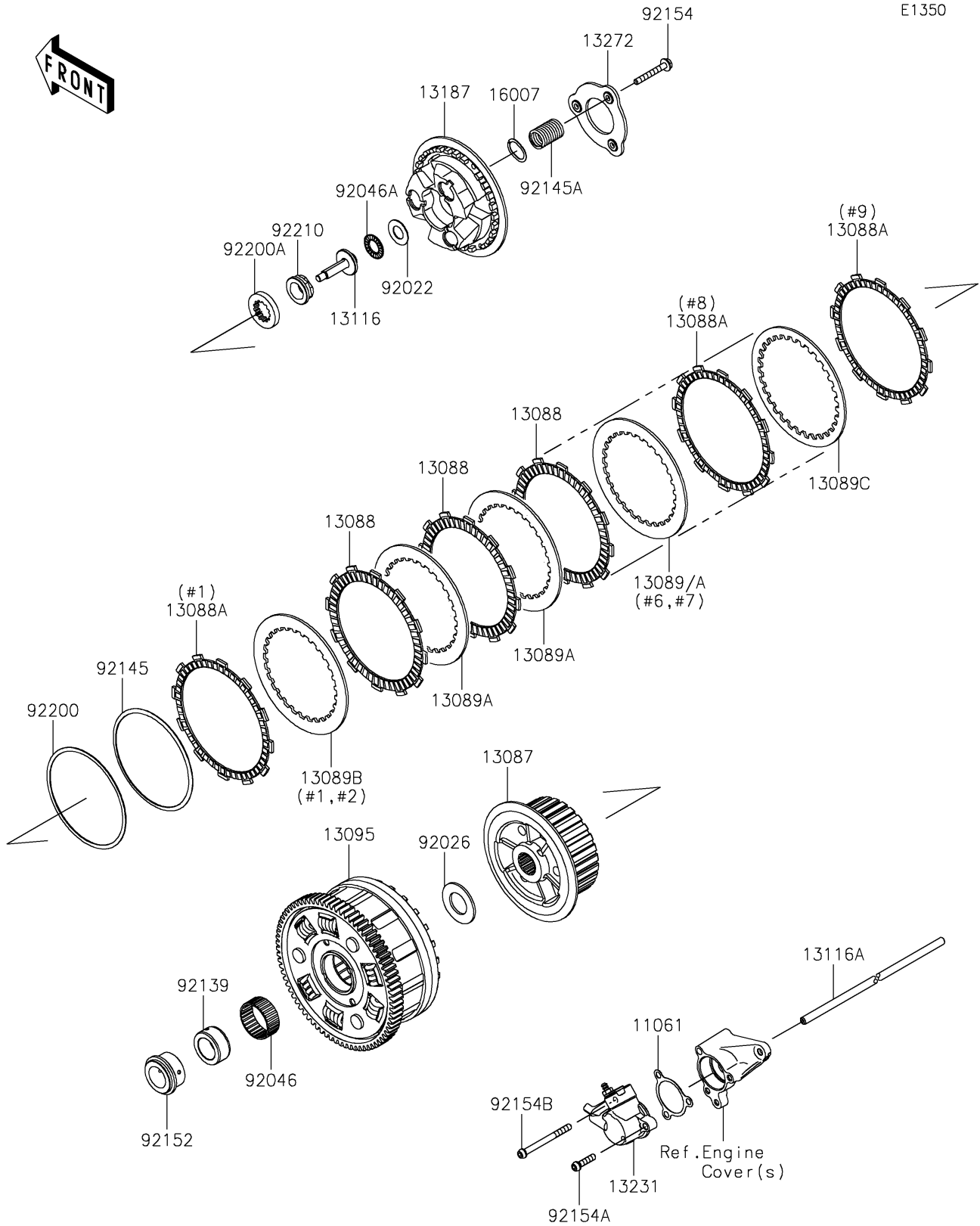


# 2024 Z H2 SE ABS

## PARTS DIAGRAM

### Clutch



# 2024 Z H2 SE ABS

## PARTS LIST

### Clutch

**ITEM NAME**

**PART NUMBER**

**QUANTITY**

---