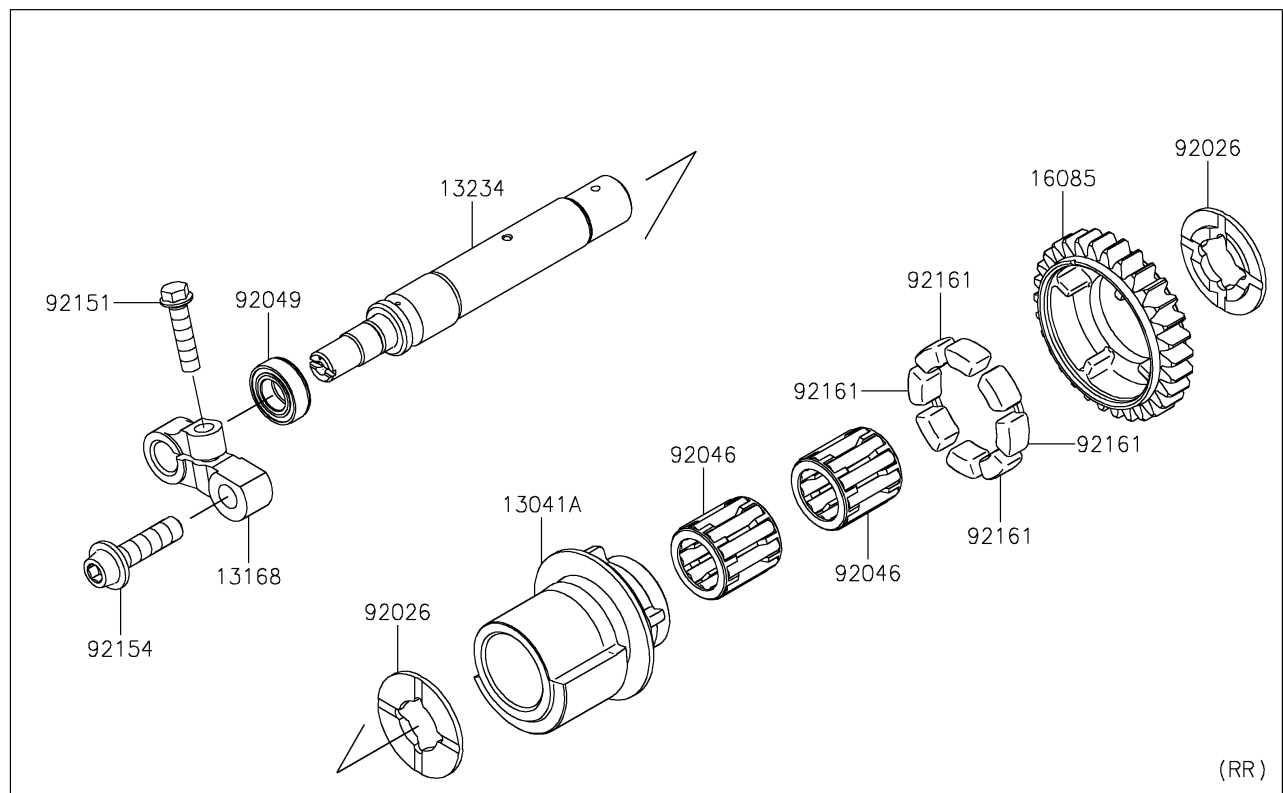
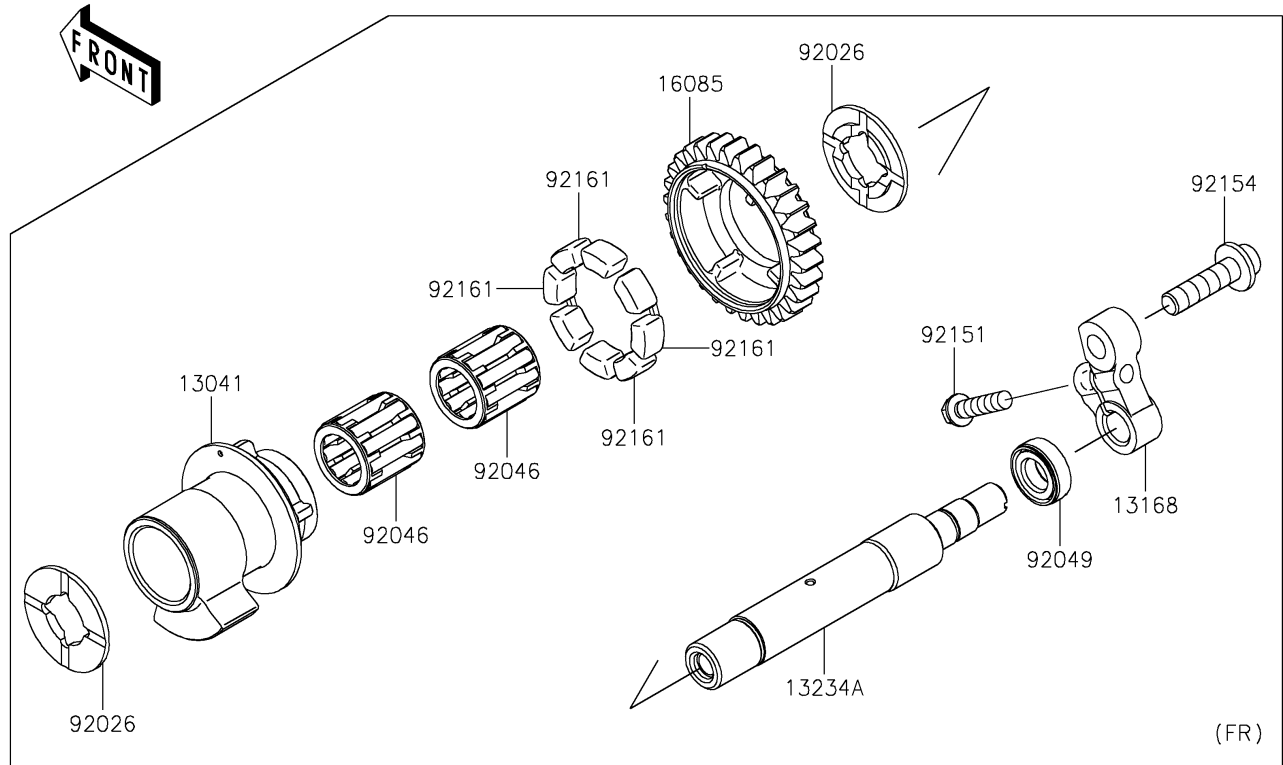


# 2026 Z H2 SE ABS

## PARTS DIAGRAM

### Balancer

E1323



# 2026 Z H2 SE ABS

## PARTS LIST

Balancer

**ITEM NAME**

**PART NUMBER**

**QUANTITY**

---