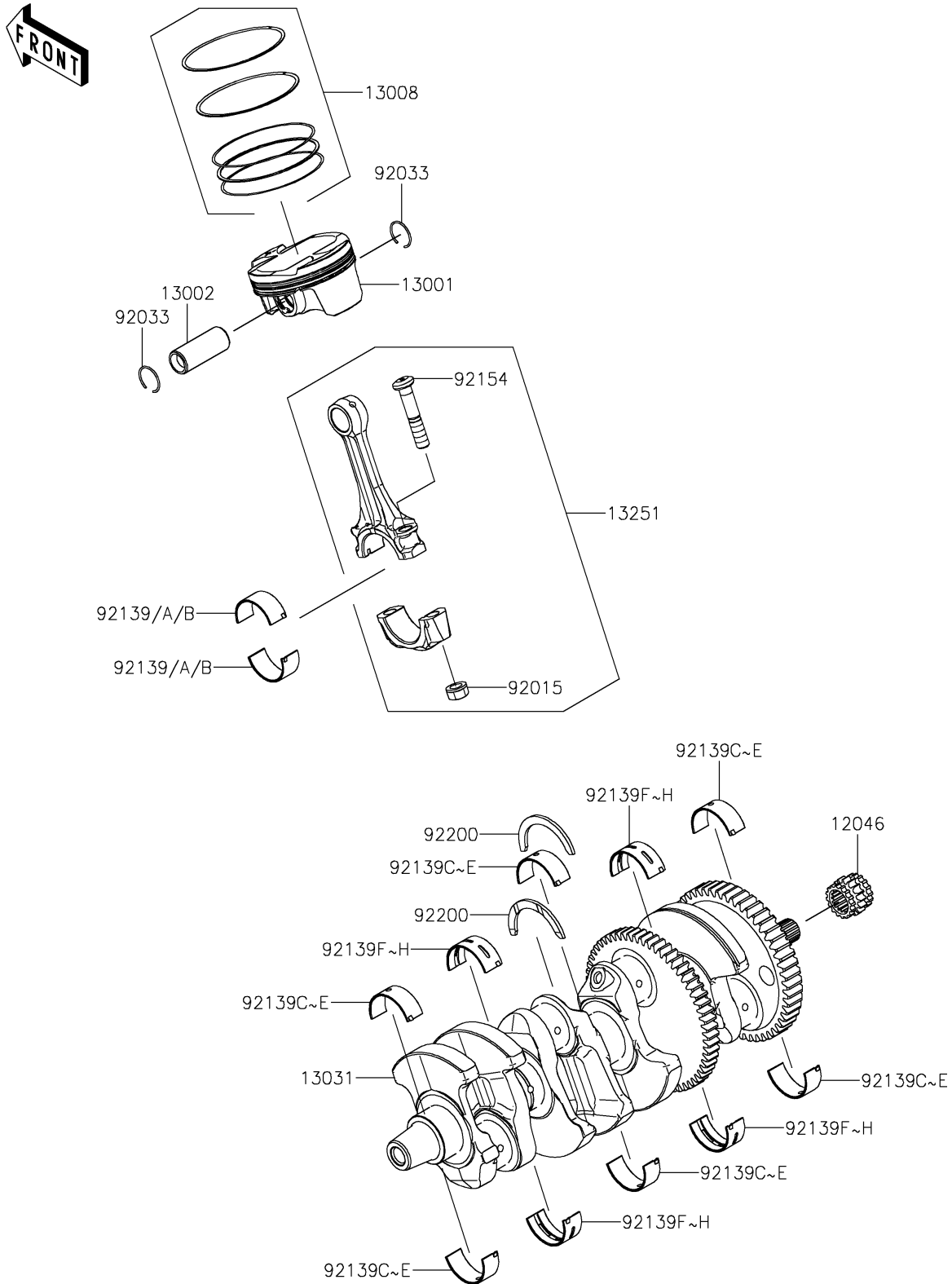


2026 Z H2 SE ABS

PARTS DIAGRAM

Crankshaft/Piston(s)

E1320



2026 Z H2 SE ABS

PARTS LIST

Crankshaft/Piston(s)

ITEM NAME

PART NUMBER

QUANTITY
