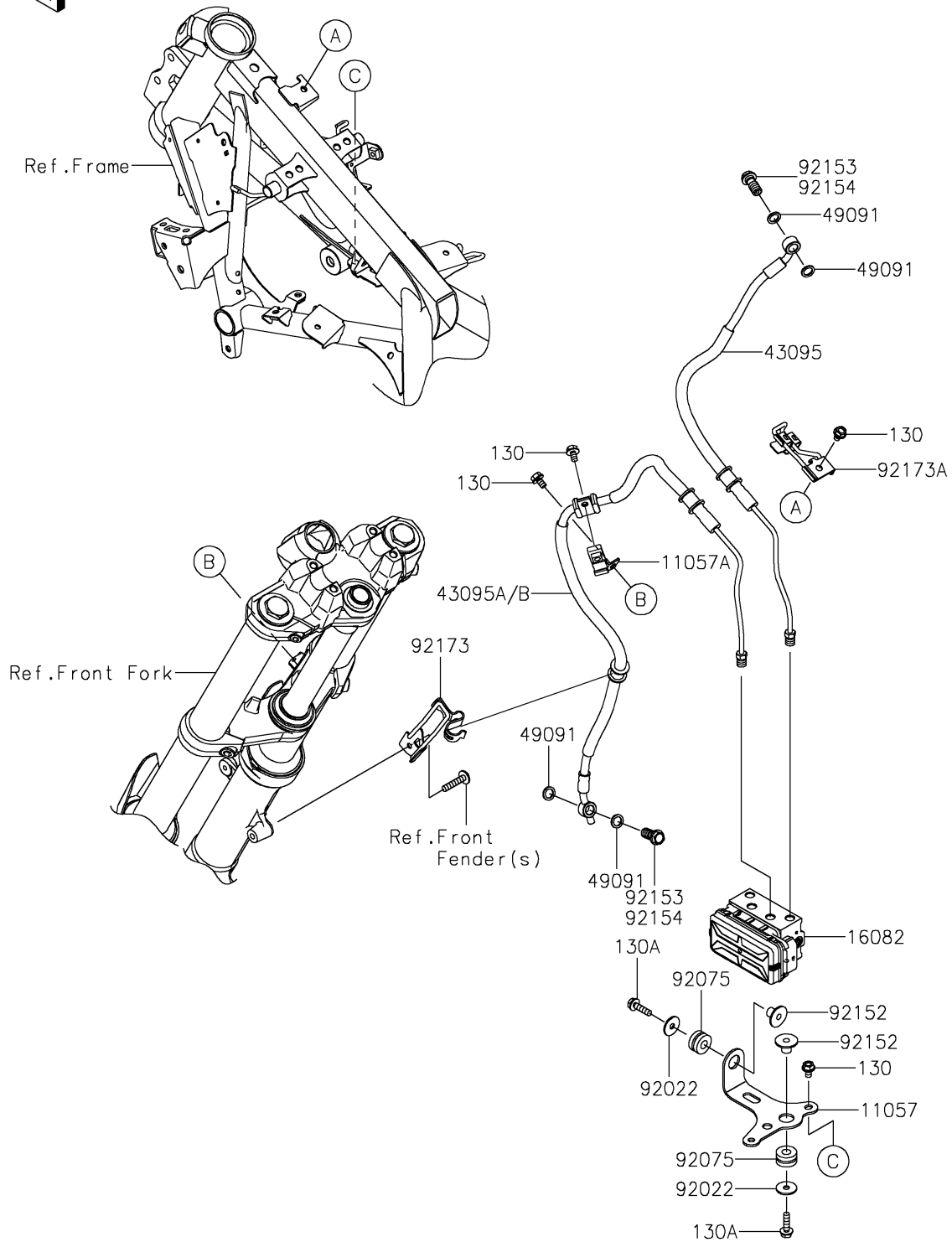


# 2023 Versys-X 300 ABS

## PARTS DIAGRAM

### Brake Piping

F2262



# 2023 Versys-X 300 ABS

## PARTS LIST

### Brake Piping

| ITEM NAME                                   | PART NUMBER | QUANTITY |
|---|-------------|----------|
| BRACKET,ABS UNIT (Ref # 11057)              | 11057-0627  | 1        |
| BRACKET (Ref # 11057A)                      | 11057-0629  | 1        |
| PUMP-ASSY-OIL,ABS10MB (Ref # 16082)         | 16082-0779  | 1        |
| HOSE-BRAKE,FR M/CYL.-ABS UNIT (Ref # 43095) | 43095-1441  | 1        |
| HOSE-BRAKE,ABS UNIT-FR CAL. (Ref # 43095A)  | 43095-1442  | 1        |
| WASHER-SEAL,10.1X14.5X1.5 (Ref # 49091)     | 49091-0001  | 4        |
| WASHER,6.5X22X1.6 (Ref # 92022)             | 92022-237   | 2        |
| DAMPER (Ref # 92075)                        | 92075-209   | 2        |
| COLLAR,6.5X10X13.6 (Ref # 92152)            | 92152-2204  | 2        |
| BOLT,BANJO,10X23 (Ref # 92154)              | 92154-2560  | 2        |
| CLAMP,FORK OUTER TUBE (Ref # 92173)         | 92173-1654  | 1        |
| CLAMP,FRM HEAD PIPE (Ref # 92173A)          | 92173-1655  | 1        |
| BOLT-FLANGED,6X10 (Ref # 130)               | 130BA0610   | 5        |
| BOLT-FLANGED,6X22 (Ref # 130A)              | 130BA0622   | 2        |