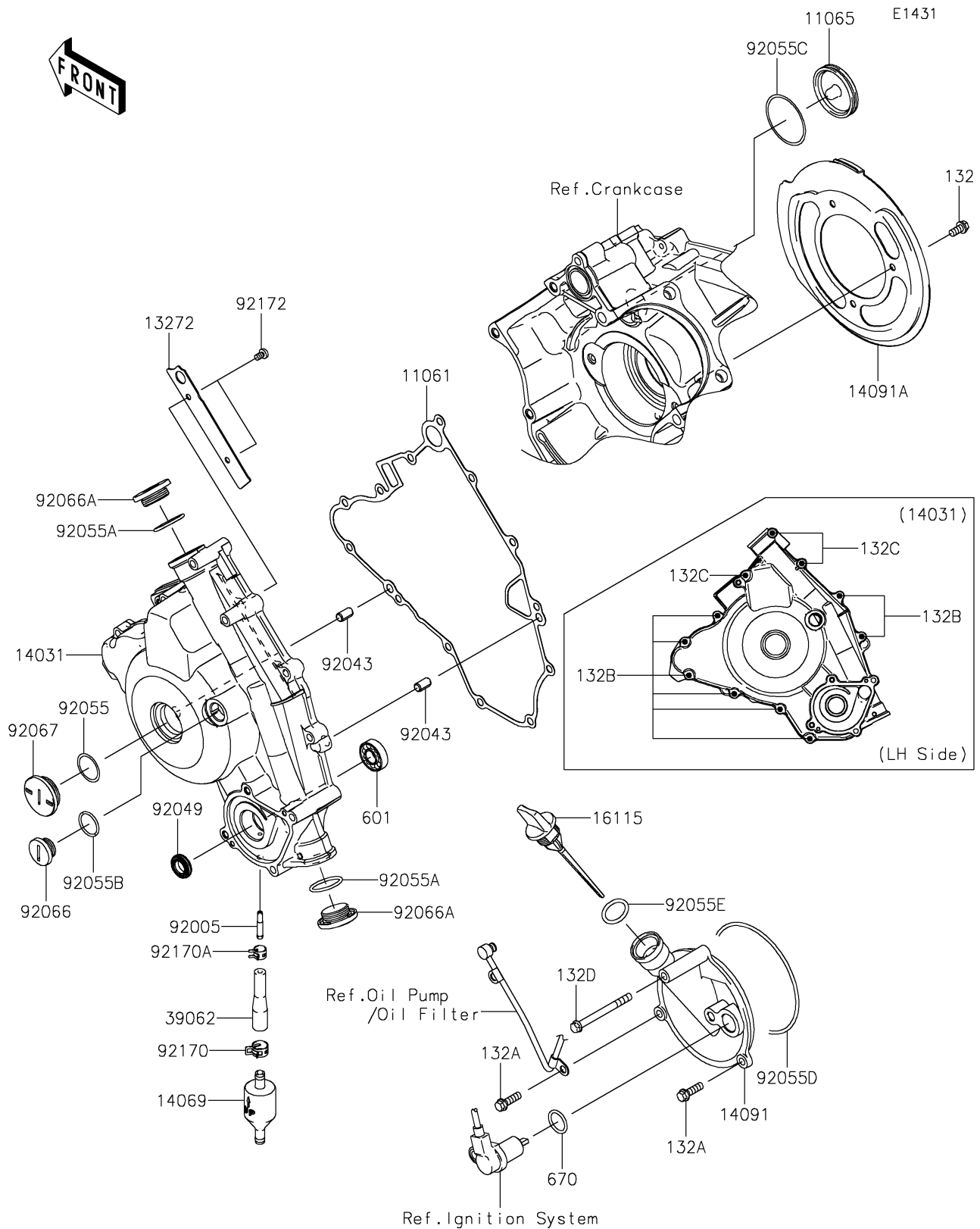


2026 BRUTE FORCE® 750 SE EPS

PARTS DIAGRAM

Engine Cover(s)



2026 BRUTE FORCE[®] 750 SE EPS



PARTS LIST

Engine Cover(s)

ITEM NAME	PART NUMBER	QUANTITY
-----------	-------------	----------
