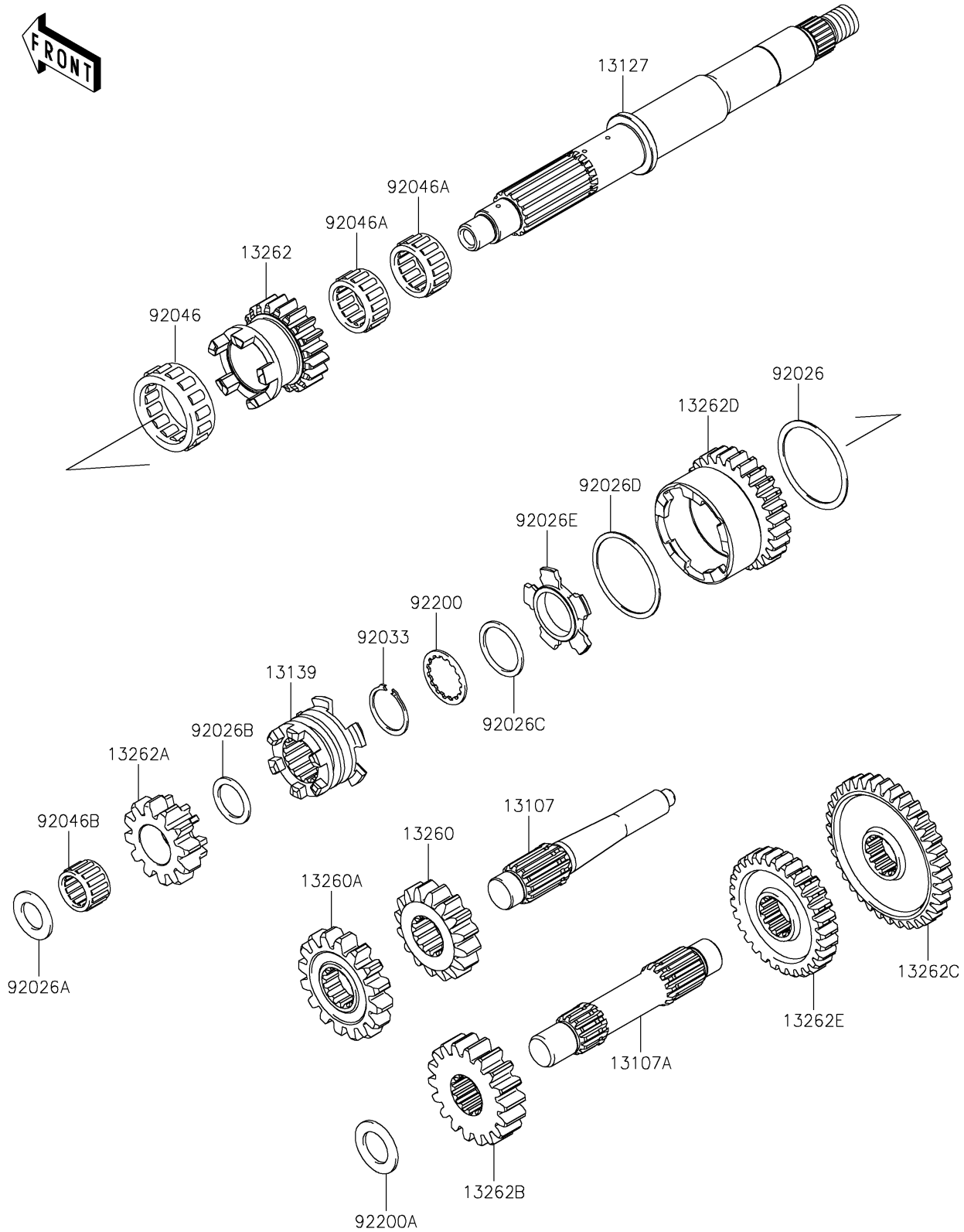


# 2026 BRUTE FORCE® 750 SE EPS

## PARTS DIAGRAM

### Transmission

E1361



# 2026 BRUTE FORCE<sup>®</sup> 750 SE EPS



## PARTS LIST

### Transmission

ITEM NAME	PART NUMBER	QUANTITY
-----------	-------------	----------

---