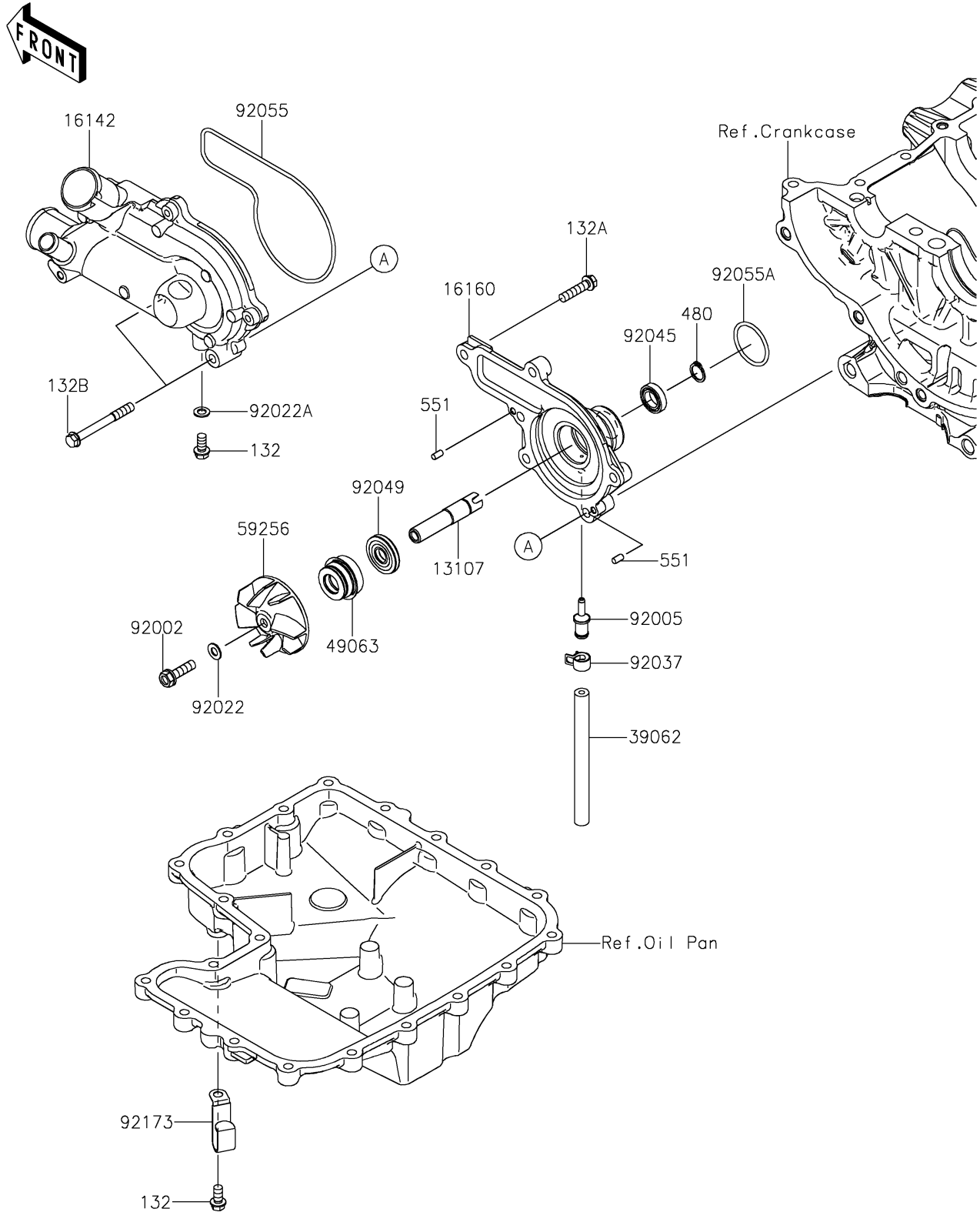


# 2026 TERYX KRX® 1000 BLACKOUT EDITION

## PARTS DIAGRAM

### Water Pump

E3031



# 2026 TERYX KRX® 1000 BLACKOUT EDITION



## PARTS LIST

### Water Pump

ITEM NAME	PART NUMBER	QUANTITY
-----------	-------------	----------

---