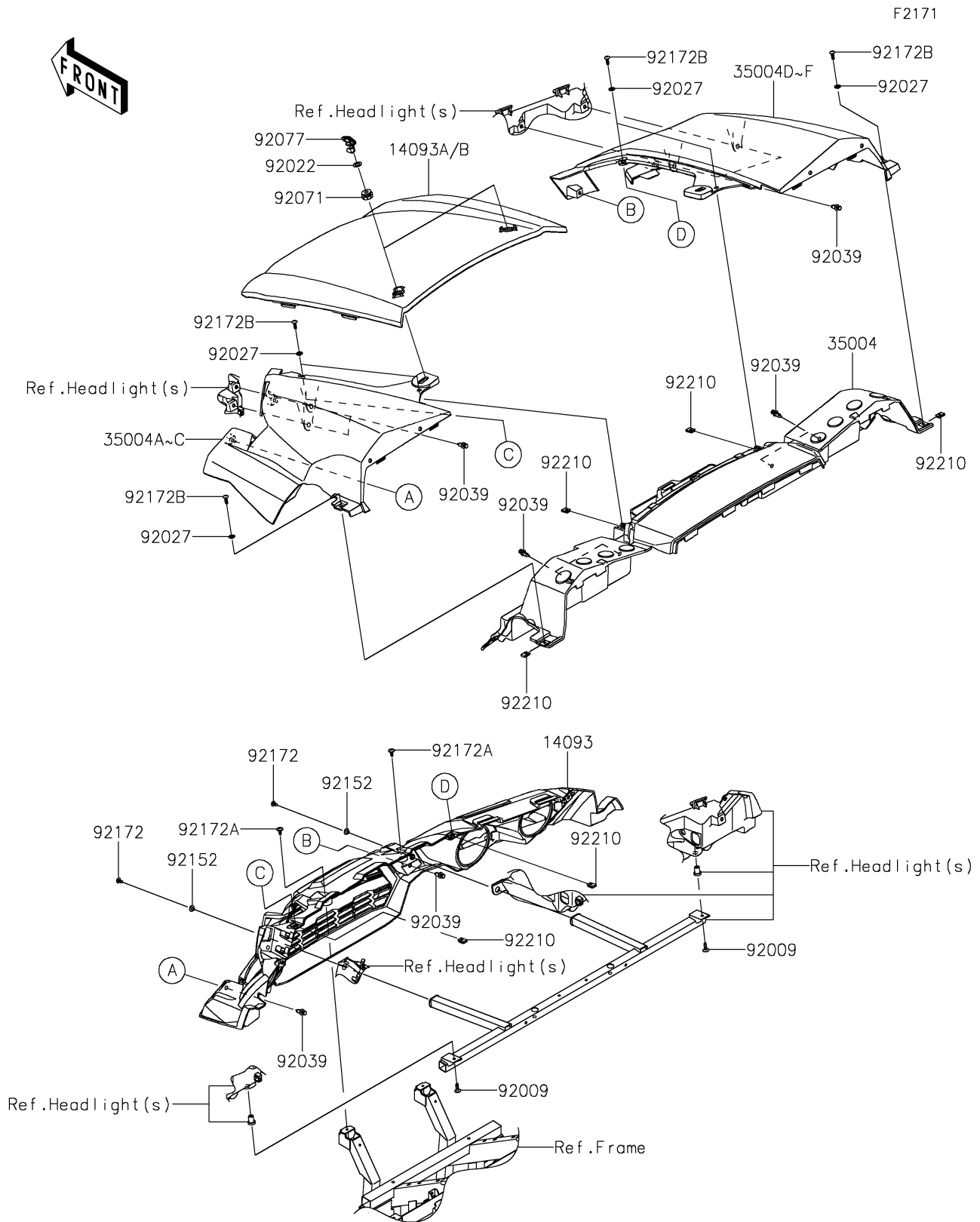


# 2025 Teryx4 S LE

## PARTS DIAGRAM

### Front Fender(s)



# 2025 Teryx4 S LE

## PARTS LIST

Front Fender(s)

**ITEM NAME**

**PART NUMBER**

**QUANTITY**

---