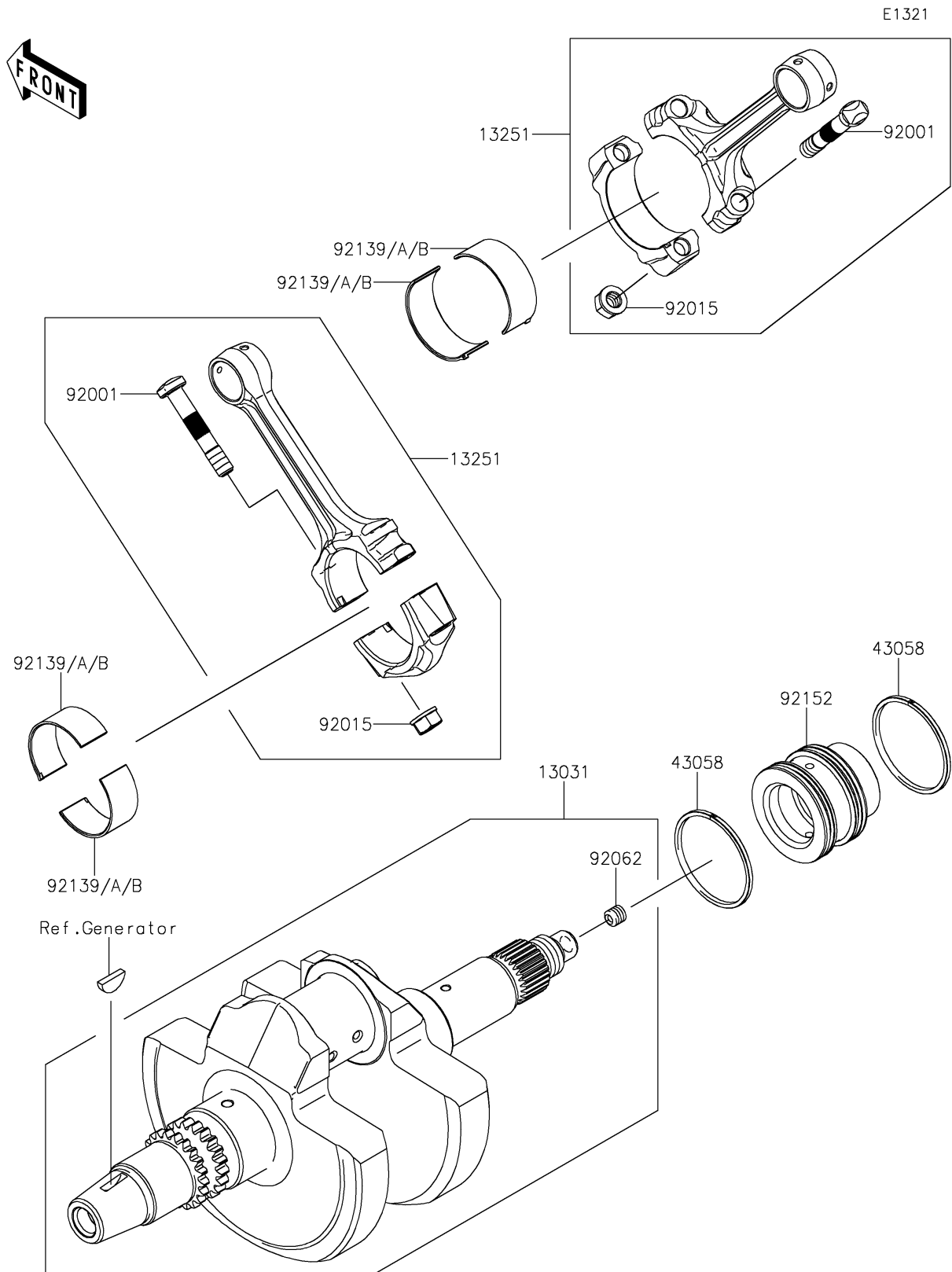


# 2025 TERYX4™ S LE

## PARTS DIAGRAM

### Crankshaft



# 2025 TERYX4™ S LE

## PARTS LIST

### Crankshaft

**ITEM NAME**

**PART NUMBER**

**QUANTITY**

---