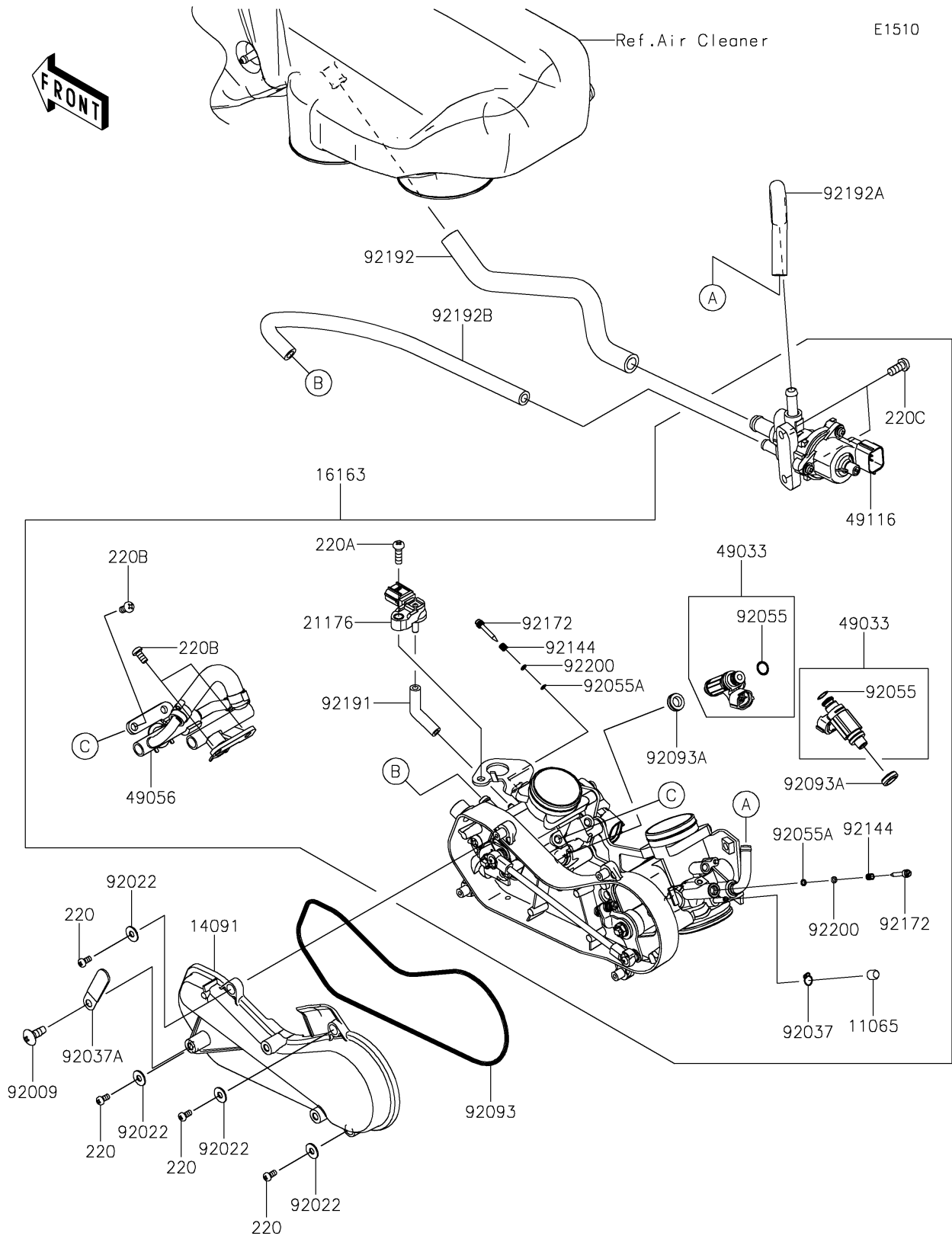


# 2019 TERYX4™

## PARTS DIAGRAM

### Throttle



# 2019 TERYX4™

## PARTS LIST

### Throttle

| ITEM NAME                                | PART NUMBER | QUANTITY |
|--|-------------|----------|
| CAP (Ref # 11065)                        | 11065-0072  | 1        |
| COVER,THROTTLE LINK (Ref # 14091)        | 14091-1731  | 1        |
| THROTTLE-ASSY,36EIS (Ref # 16163)        | 16163-0790  | 1        |
| SENSOR,PRESSURE (Ref # 21176)            | 21176-0111  | 1        |
| NOZZLE-INJECTION (Ref # 49033)           | 49033-0011  | 2        |
| PIPE-INJECTION (Ref # 49056)             | 49056-0033  | 1        |
| VALVE-ASSY,ISC (Ref # 49116)             | 49116-0021  | 1        |
| SCREW,6X12 (Ref # 92009)                 | 92009-1480  | 1        |
| WASHER,5.2X13X1 (Ref # 92022)            | 92022-1380  | 4        |
| CLAMP,TUBE (Ref # 92037)                 | 92037-1124  | 1        |
| CLAMP,L=45 (Ref # 92037A)                | 92037-1539  | 1        |
| RING-O,INJECTION NOZZLE (Ref # 92055)    | 92055-1622  | 2        |
| RING-O,AIR SCREW (Ref # 92055A)          | 92055-1658  | 2        |
| SEAL (Ref # 92093)                       | 92093-0082  | 1        |
| SEAL (Ref # 92093A)                      | 92093-0127  | 2        |
| SPRING,THROTTLE STOP SCREW (Ref # 92144) | 92144-1674  | 2        |
| SCREW (Ref # 92172)                      | 92172-0156  | 2        |
| TUBE,3.2X7.4X70 (Ref # 92191)            | 92191-1552  | 1        |
| TUBE,ISC-CHAMBER (Ref # 92192)           | 92192-0948  | 1        |
| TUBE,ISC-THROTTLE RR (Ref # 92192A)      | 92192-1211  | 1        |
| TUBE,ISC-THROTTLE FR (Ref # 92192B)      | 92192-1212  | 1        |
| WASHER,PILOT AIR SCREW (Ref # 92200)     | 92200-1564  | 2        |
| SCREW-PAN-CROS,4X8 (Ref # 220)           | 220AA0408   | 4        |
| SCREW-PAN-CROS,5X16 (Ref # 220A)         | 220AA0516   | 1        |
| SCREW-PAN-CROS,6X12 (Ref # 220B)         | 220AA0612   | 4        |
| SCREW-PAN-CROS,6X14 (Ref # 220C)         | 220AA0614   | 2        |