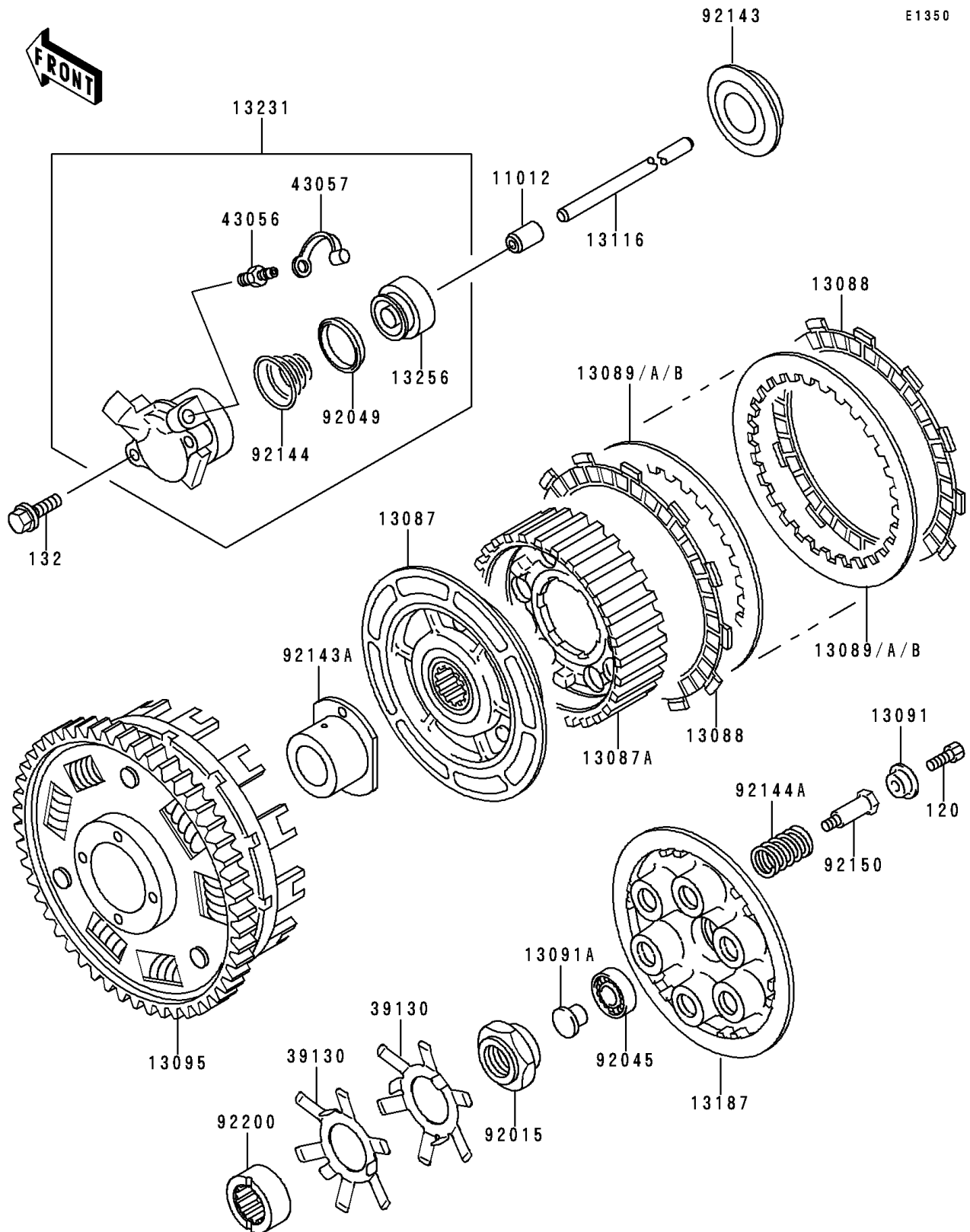


# 1997 Ninja<sup>®</sup> ZX<sup>™</sup>-9R

## PARTS DIAGRAM

### Clutch



# 1997 Ninja® ZX™-9R

## PARTS LIST

### Clutch

**ITEM NAME**

**PART NUMBER**

**QUANTITY**

---