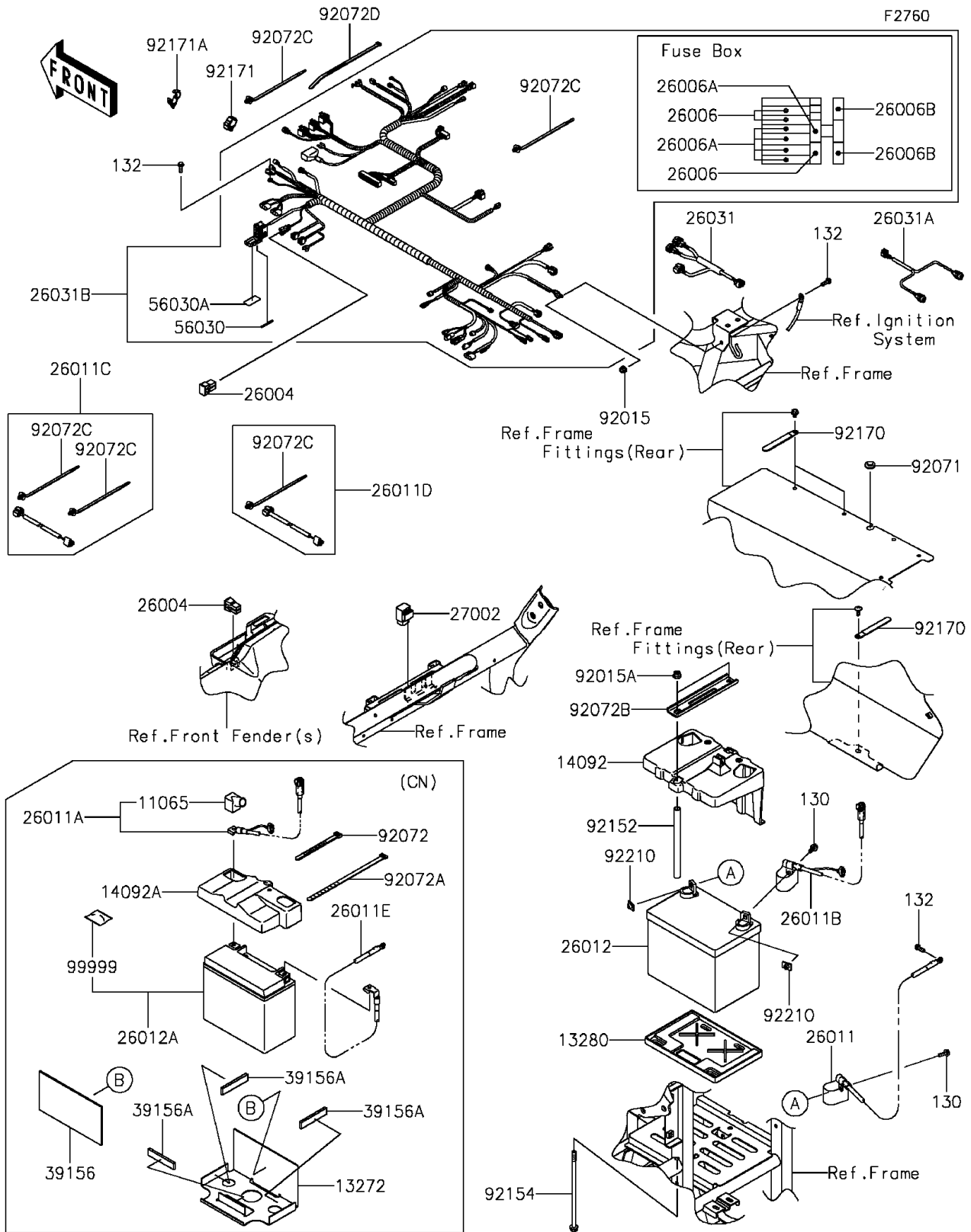


2015 TERYX4™ LE

PARTS DIAGRAM

Chassis Electrical Equipment



2015 TERYX4™ LE

PARTS LIST

Chassis Electrical Equipment

ITEM NAME	PART NUMBER	QUANTITY
HOLDER,BATTERY (Ref # 13280)	13280-0709	1
FUSE-ASSY,40A (Ref # 26004)	26004-1093	2
FUSE,MINI BLADE,15A,BLUE (Ref # 26006)	26006-0001	3
FUSE,MINI BLADE,10A,RED (Ref # 26006A)	26006-0009	5
FUSE,MINI BLADE,30A,GREEN (Ref # 26006B)	26006-1080	2
WIRE-LEAD,HEAD LAMP,LH (Ref # 26011C)	26011-0842	1
WIRE-LEAD,HEAD LAMP,RH (Ref # 26011D)	26011-0843	1
HARNESS,SUB,TPS (Ref # 26031)	26031-1264	1
HARNESS,SUB (Ref # 26031A)	26031-1439	1
HARNESS,MAIN (Ref # 26031B)	26031-1441	1
RELAY-ASSY (Ref # 27002)	27002-1062	1
LABEL,FUSE BOX,30A (Ref # 56030)	56030-0404	1
LABEL,FUSE BOX (Ref # 56030A)	56030-0703	1
NUT,LOCK,FLANGED,6MM (Ref # 92015)	92015-1339	1
NUT,FLANGED,8MM (Ref # 92015A)	92015-1406	2
GROMMET,10X20X6 (Ref # 92071)	92071-0733	1
BAND (Ref # 92072B)	92072-0707	1
BAND (Ref # 92072C)	92072-1414	14
BAND,L=292.1 (Ref # 92072D)	92072-3509	21
COLLAR,10.2X12.7X165.8 (Ref # 92152)	92152-1555	2
BOLT,FLANGED,8X185 (Ref # 92154)	92154-0889	2
CLAMP (Ref # 92170)	92170-1925	3
CLAMP,BRAKE HOSE (Ref # 92171)	92171-0316	1
CLAMP,DIA=13 (Ref # 92171A)	92171-1415	2
BOLT-FLANGED-SMALL,6X16 (Ref # 132)	132BA0616	3