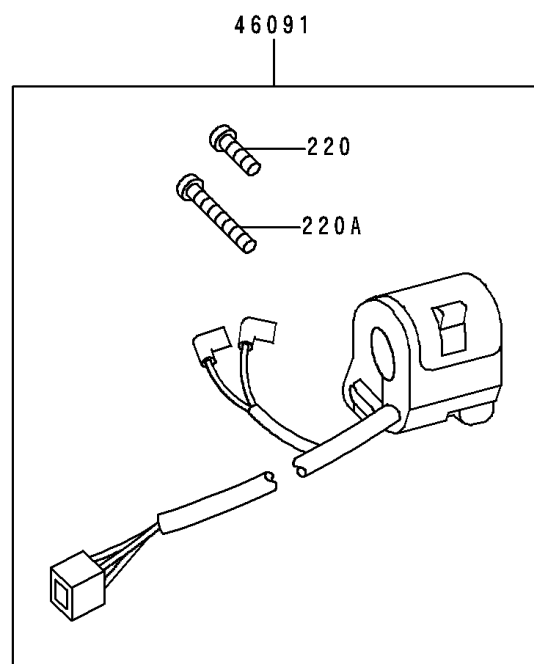
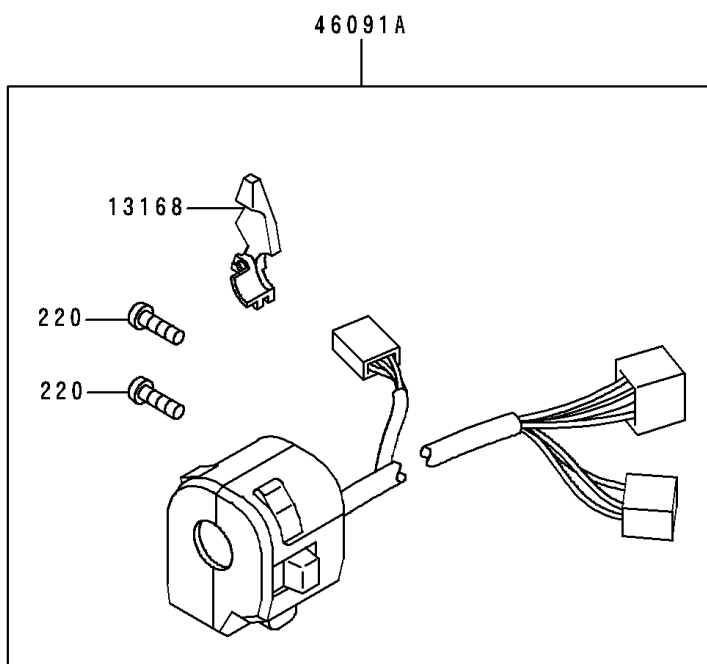
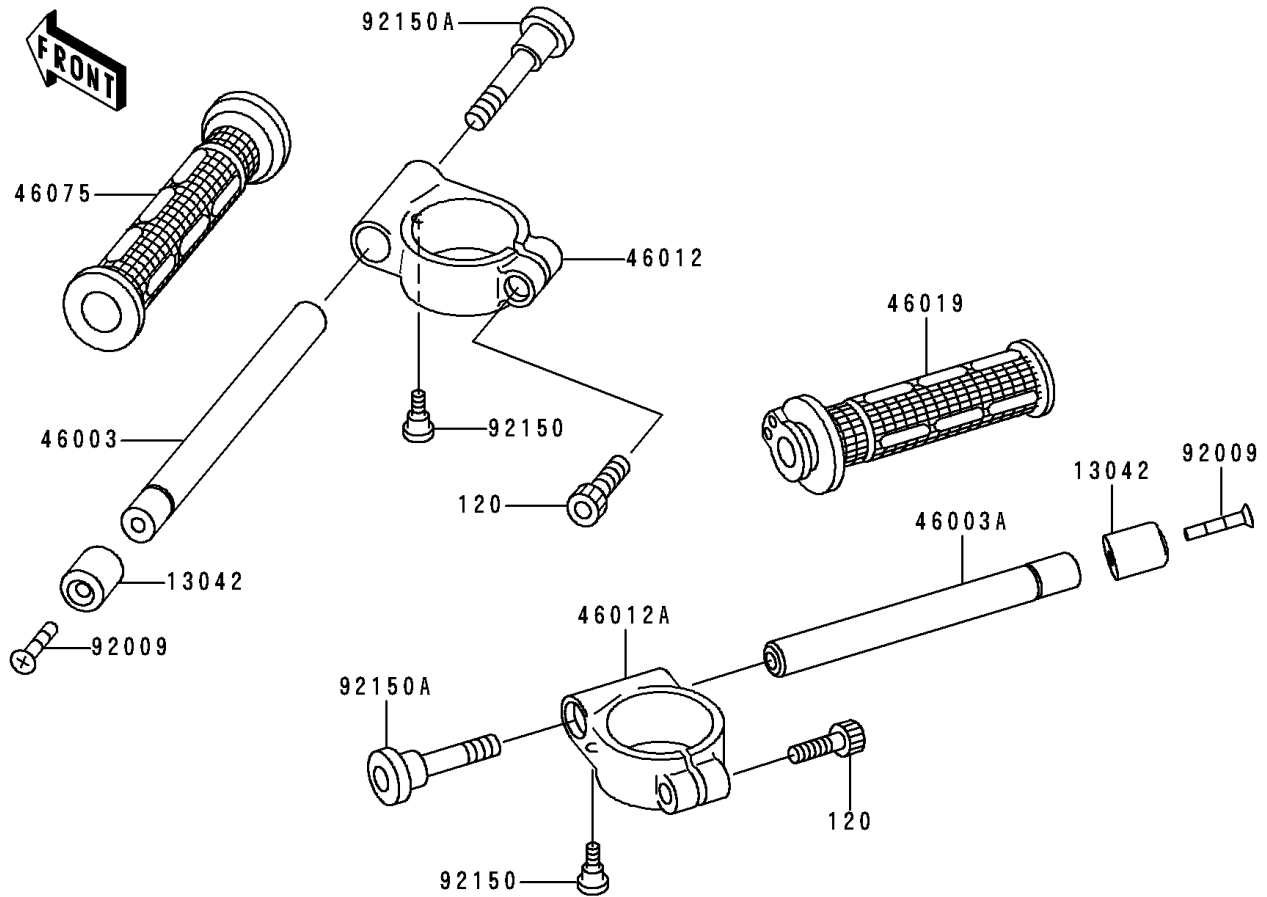


# 1996 Ninja<sup>®</sup> ZX<sup>™</sup>-9R

## PARTS DIAGRAM

### Handlebar

F2310



# 1996 Ninja<sup>®</sup> ZX<sup>™</sup>-9R

## PARTS LIST

### Handlebar

**ITEM NAME**

**PART NUMBER**

**QUANTITY**

---