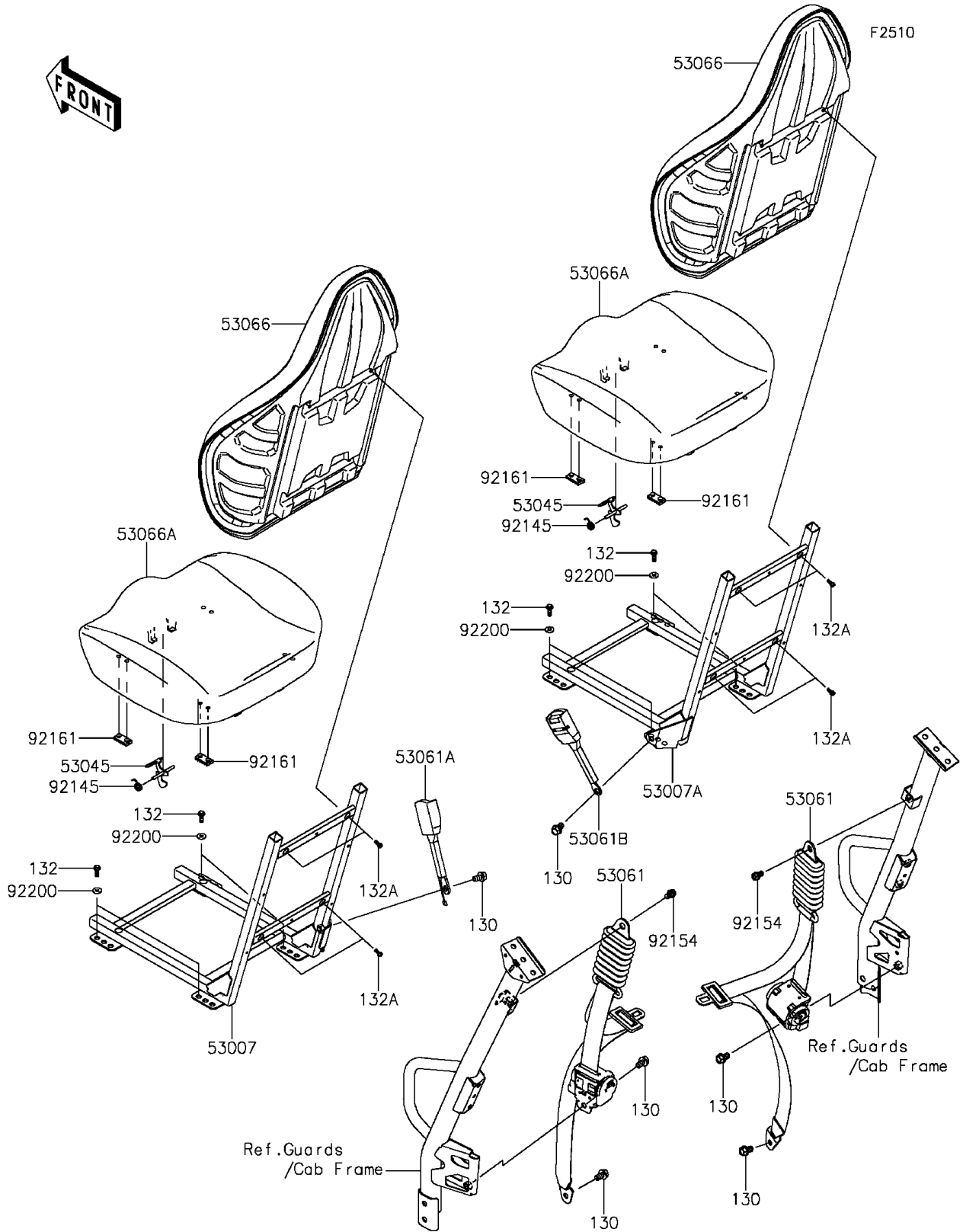


# 2014 Teryx

## PARTS DIAGRAM

### Seat



# 2014 Teryx

## PARTS LIST

Seat

**ITEM NAME**

**PART NUMBER**

**QUANTITY**

---