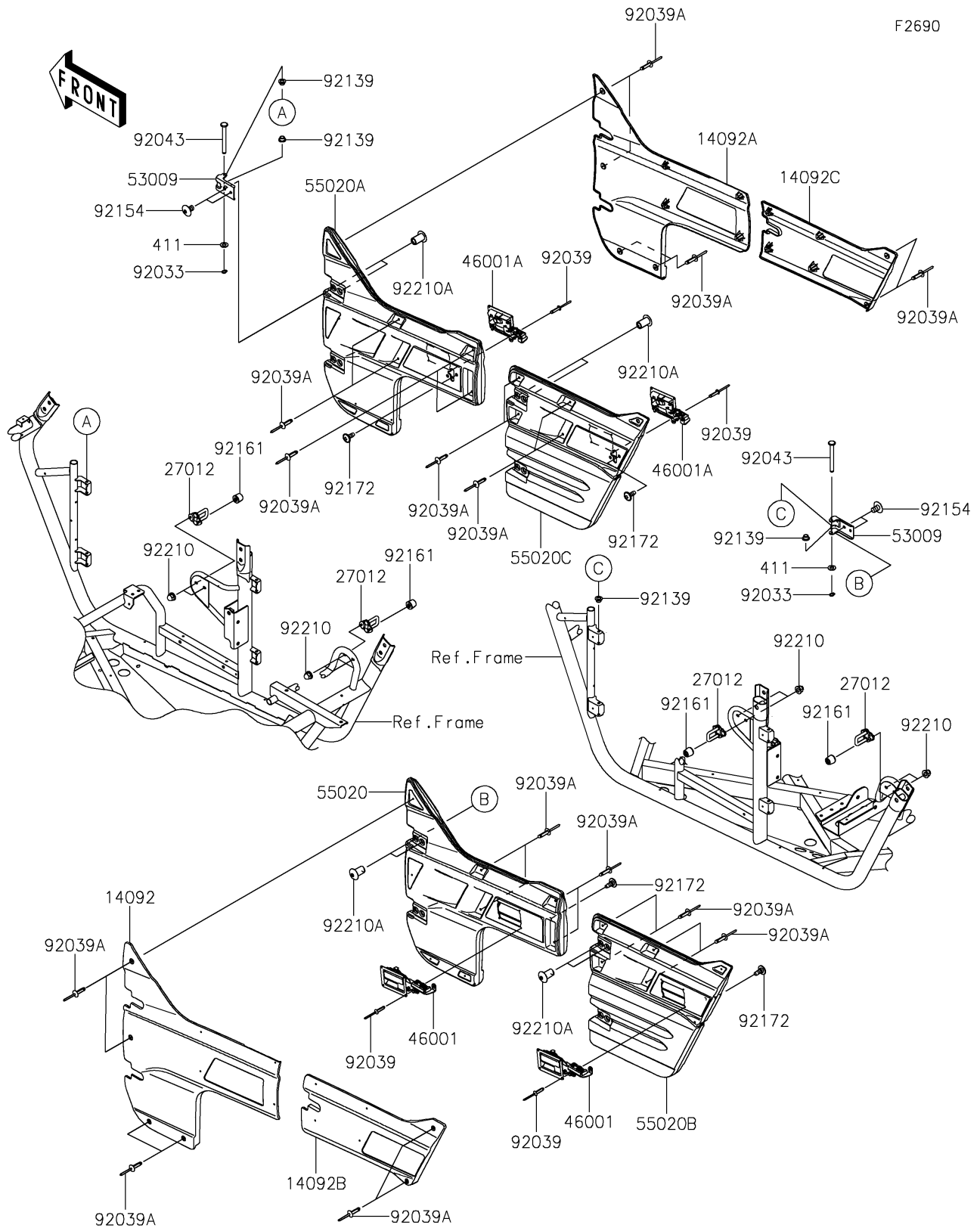


# 2024 TERYX4™ S LE

## PARTS DIAGRAM

### Door

F2690



# 2024 TERYX4™ S LE

## PARTS LIST

Door



ITEM NAME	PART NUMBER	QUANTITY
-----------	-------------	----------

---