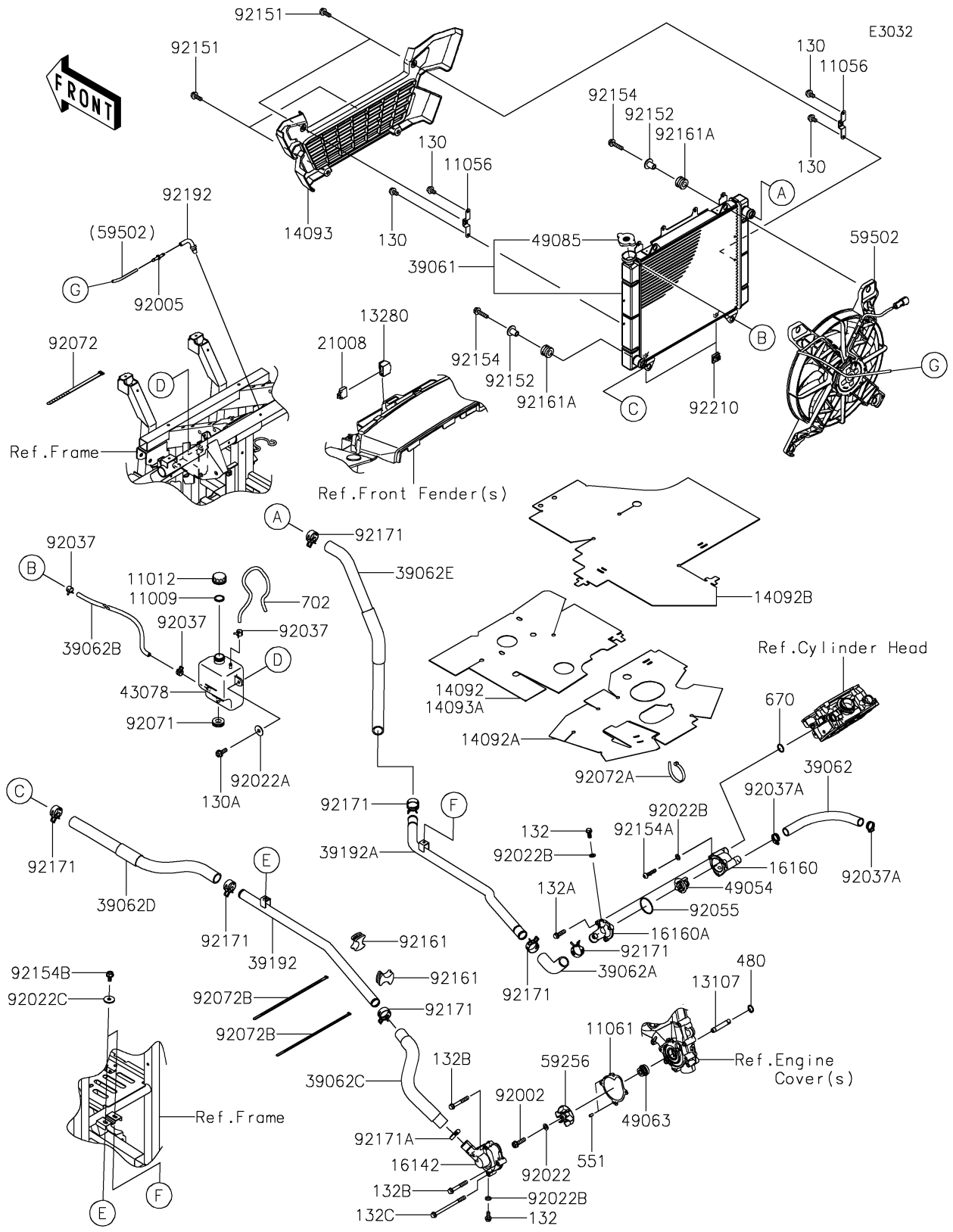


2024 TERYX4™ S LE

PARTS DIAGRAM

Radiator



2024 TERYX4™ S LE

PARTS LIST

Radiator

ITEM NAME	PART NUMBER	QUANTITY
GASKET,RESERVOIR TANK CAP (Ref # 11009)	11009-1145	1
CAP (Ref # 11012)	11012-1084	1
BRACKET (Ref # 11056)	11056-7103	2
GASKET,WATER PUMP COVER (Ref # 11061)	11061-0731	1
SHAFT,WATER PUMP (Ref # 13107)	13107-0719	1
HOLDER,BREAKER (Ref # 13280)	13280-0898	1
COVER,HEAT GUARD,FR (Ref # 14092)	14092-1060	1
COVER,HEAT GUARD,RR (Ref # 14092A)	14092-1061	1
COVER,CHAMBER (Ref # 14092B)	14092-1142	1
COVER,RADIATOR (Ref # 14093)	14093-0206	1
COVER,HEAT GUARD,FR (Ref # 14093A)	14093-0561	1
COVER-PUMP,WATER (Ref # 16142)	16142-0743	1
BODY,THERMOSTAT,LWR (Ref # 16160)	16160-0734	1
BODY,THERMOSTAT,UPP (Ref # 16160A)	16160-0735	1
BREAKER,RAD.FAN,20A (Ref # 21008)	21008-0015	1
RADIATOR-ASSY (Ref # 39061)	39061-0850	1
HOSE-COOLING,RR HEAD-THERMO. (Ref # 39062)	39062-0621	1
HOSE-COOLING,THERMO OUT (Ref # 39062A)	39062-0669	1
HOSE-COOLING,RESERVOIR-RAD. (Ref # 39062B)	39062-0698	1
HOSE-COOLING,WATER PUMP IN (Ref # 39062C)	39062-0891	1
HOSE-COOLING,RADIATOR OUT (Ref # 39062D)	39062-0892	1
HOSE-COOLING,RADIATOR IN (Ref # 39062E)	39062-0939	1
PIPE-WATER,LH (Ref # 39192)	39192-0569	1
PIPE-WATER,RH (Ref # 39192A)	39192-0675	1
RESERVOIR (Ref # 43078)	43078-0070	1
THERMOSTAT (Ref # 49054)	49054-1055	1
SEAL-MECHANICAL (Ref # 49063)	49063-1055	1
CAP-ASSY-PRESSURE (Ref # 49085)	49085-0019	1
IMPELLER (Ref # 59256)	59256-0555	1

2024 TERYX4™ S LE

PARTS LIST

Radiator

ITEM NAME	PART NUMBER	QUANTITY
FAN-ASSY (Ref # 59502)	59502-0637	1
BOLT,6X22 (Ref # 92002)	92002-1154	1
FITTING (Ref # 92005)	92005-0851	1
WASHER,6.1X12X1 (Ref # 92022)	92022-077	1
WASHER,PLAIN,6.5X20X1 (Ref # 92022A)	92022-165	1
WASHER,6.2X11X1 (Ref # 92022B)	92022-304	3
WASHER,6.2X20X2 (Ref # 92022C)	92022-3714	2
CLAMP,TUBE (Ref # 92037)	92037-1461	3
CLAMP,COOLING HOSE (Ref # 92037A)	92037-1589	2
RING-O,44.7X2.4 (Ref # 92055)	92055-1279	1
GROMMET (Ref # 92071)	92071-1115	1
BAND,L=218 (Ref # 92072)	92072-032	1
BAND,L=250 (Ref # 92072A)	92072-1237	1
BAND,L=368.3 (Ref # 92072B)	92072-3872	2
BOLT,FLANGED,6X13 (Ref # 92151)	92151-1703	4
COLLAR (Ref # 92152)	92152-2844	4
BOLT,FLANGED,6X25 (Ref # 92154)	92154-0707	4
BOLT,SOCKET,6X25 (Ref # 92154A)	92154-1142	1
BOLT,FLANGED,6X12 (Ref # 92154B)	92154-1195	2
DAMPER,PIPE WATER (Ref # 92161)	92161-1513	2
DAMPER (Ref # 92161A)	92161-2436	4
CLAMP,COOLING HOSE (Ref # 92171)	92171-0060	7
CLAMP (Ref # 92171A)	92171-0179	1
TUBE,BREATHER (Ref # 92192)	92192-1703	1
NUT,CLIP,6MM (Ref # 92210)	92210-0867	2
BOLT-FLANGED,6X10 (Ref # 130)	130BA0610	4
BOLT-FLANGED,6X16 (Ref # 130A)	130BA0616	1
BOLT-FLANGED-SMALL,6X12 (Ref # 132)	132BA0612	2
BOLT-FLANGED-SMALL,6X20 (Ref # 132A)	132BA0620	3

2024 TERYX4™ S LE

PARTS LIST

Radiator

ITEM NAME	PART NUMBER	QUANTITY
BOLT-FLANGED-SMALL,6X40 (Ref # 132B)	132BA0640	3
BOLT-FLANGED-SMALL,6X80 (Ref # 132C)	132BA0680	1
CIRCLIP-TYPE-C,12MM (Ref # 480)	480J1200	1
PIN-DOWEL,4X8 (Ref # 551)	551A0408	2
O RING,20MM (Ref # 670)	670B2020	1
TUBE-RUBBER,5X8X380 (Ref # 702)	702A05380	1