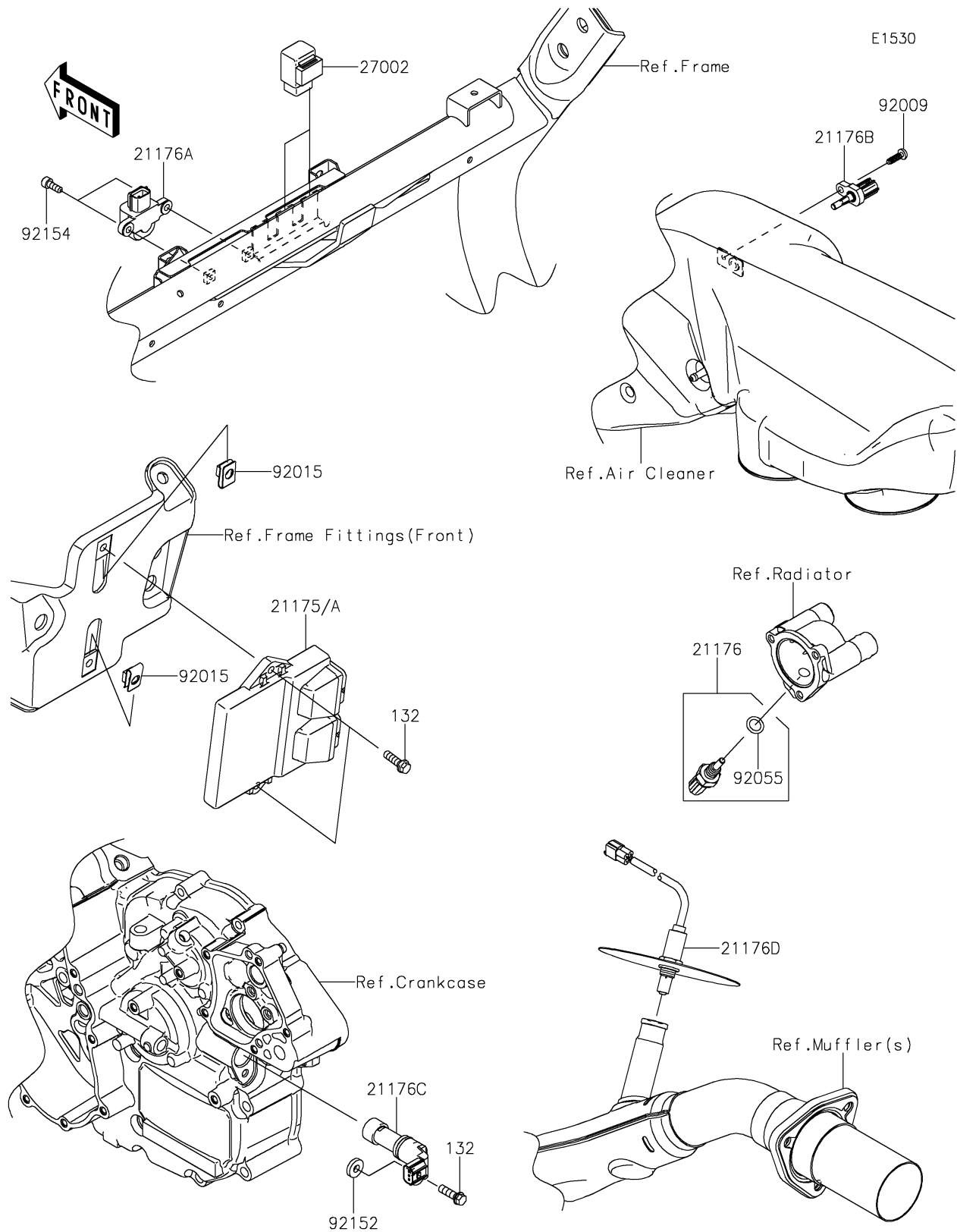


# 2024 Teryx4™ S LE

## PARTS DIAGRAM

### Fuel Injection



# 2024 Teryx4™ S LE

## PARTS LIST

### Fuel Injection

**ITEM NAME**

**PART NUMBER**

**QUANTITY**

---