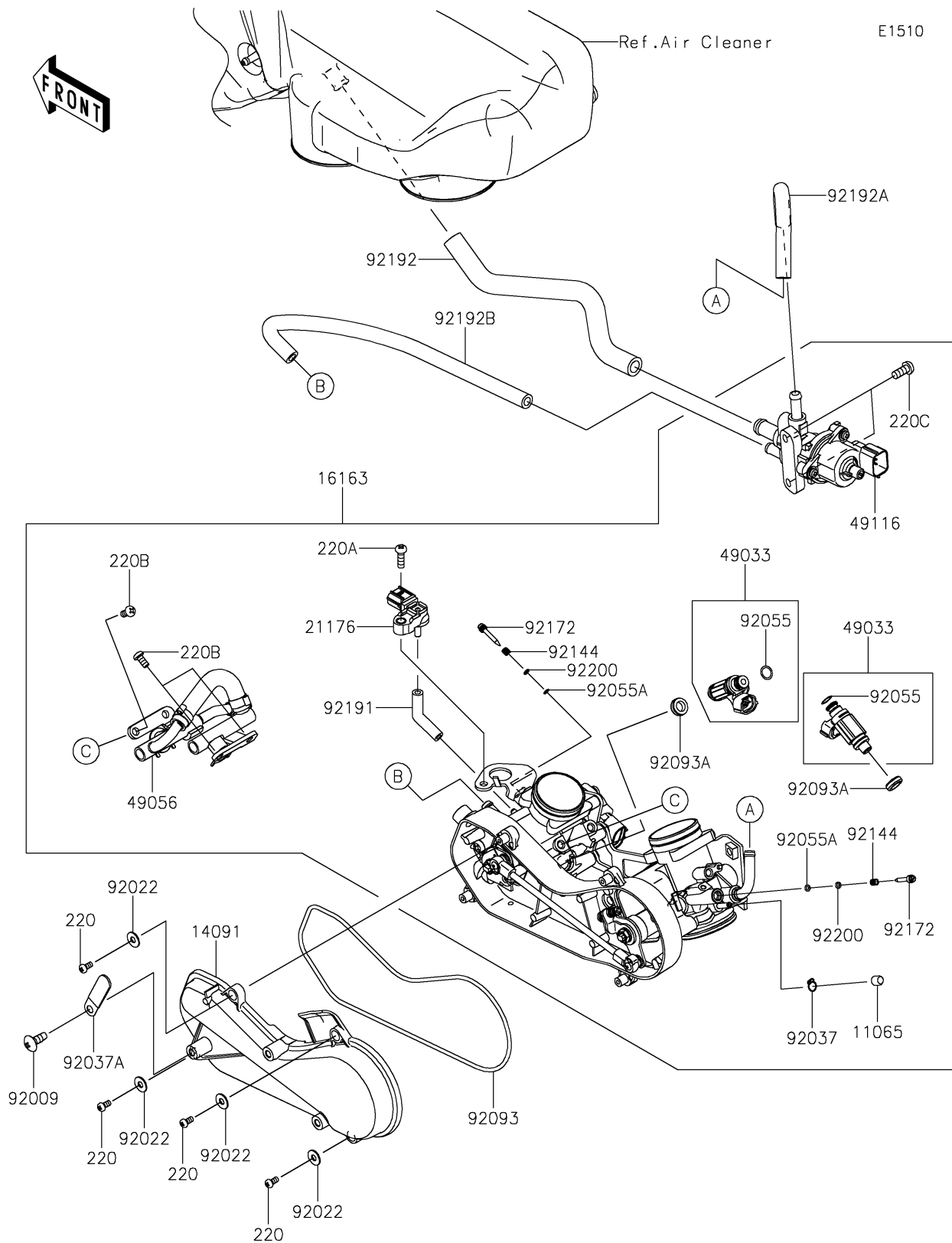


# 2024 TERYX4™ S LE

## PARTS DIAGRAM

### Throttle



# 2024 TERYX4™ S LE

## PARTS LIST

### Throttle



ITEM NAME	PART NUMBER	QUANTITY
-----------	-------------	----------

---