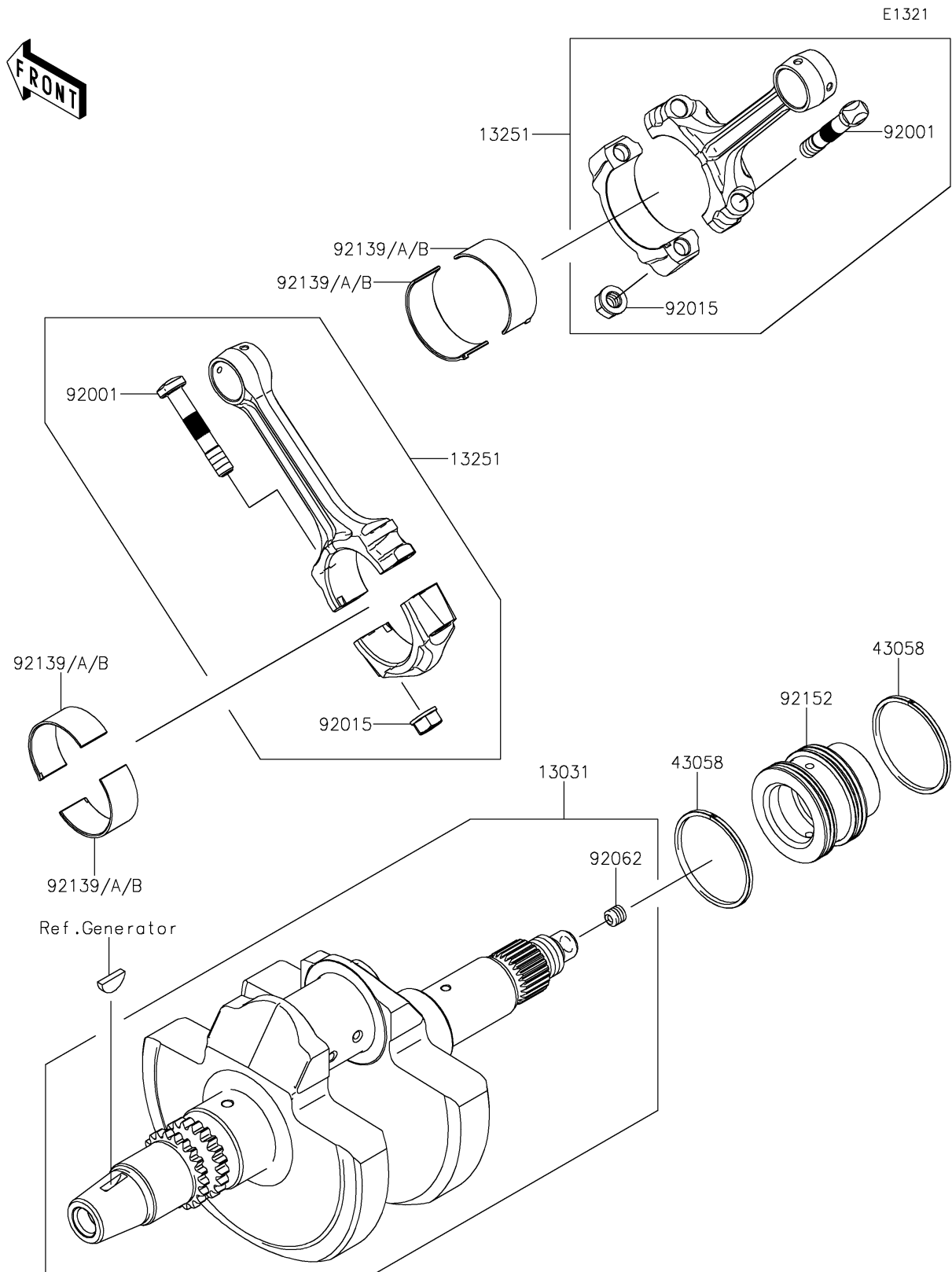


# 2024 TERYX4™ S LE

## PARTS DIAGRAM

### Crankshaft



# 2024 TERYX4™ S LE

## PARTS LIST

### Crankshaft

| ITEM NAME                                    | PART NUMBER | QUANTITY |
|--|-------------|----------|
| CRANKSHAFT-COMP (Ref # 13031)                | 13031-0983  | 1        |
| ROD-ASSY-CONNECTING (Ref # 13251)            | 13251-0709  | 2        |
| RING (Ref # 43058)                           | 43058-0702  | 2        |
| BOLT,CONNECTING ROD (Ref # 92001)            | 92001-1980  | 4        |
| NUT,FLANGED,8MM (Ref # 92015)                | 92015-1311  | 4        |
| NOZZLE,8X8,SILVER (Ref # 92062)              | 92062-1082  | 1        |
| BUSHING,CONNECTING ROD,GREEN (Ref # 92139)   | 92139-0764  | AR       |
| BUSHING,CONNECTING ROD,YELLOW (Ref # 92139A) | 92139-0765  | 4        |
| BUSHING,CONNECTING ROD,BROWN (Ref # 92139B)  | 92139-0766  | AR       |
| COLLAR,CRANK-CLUTCH (Ref # 92152)            | 92152-0956  | 1        |