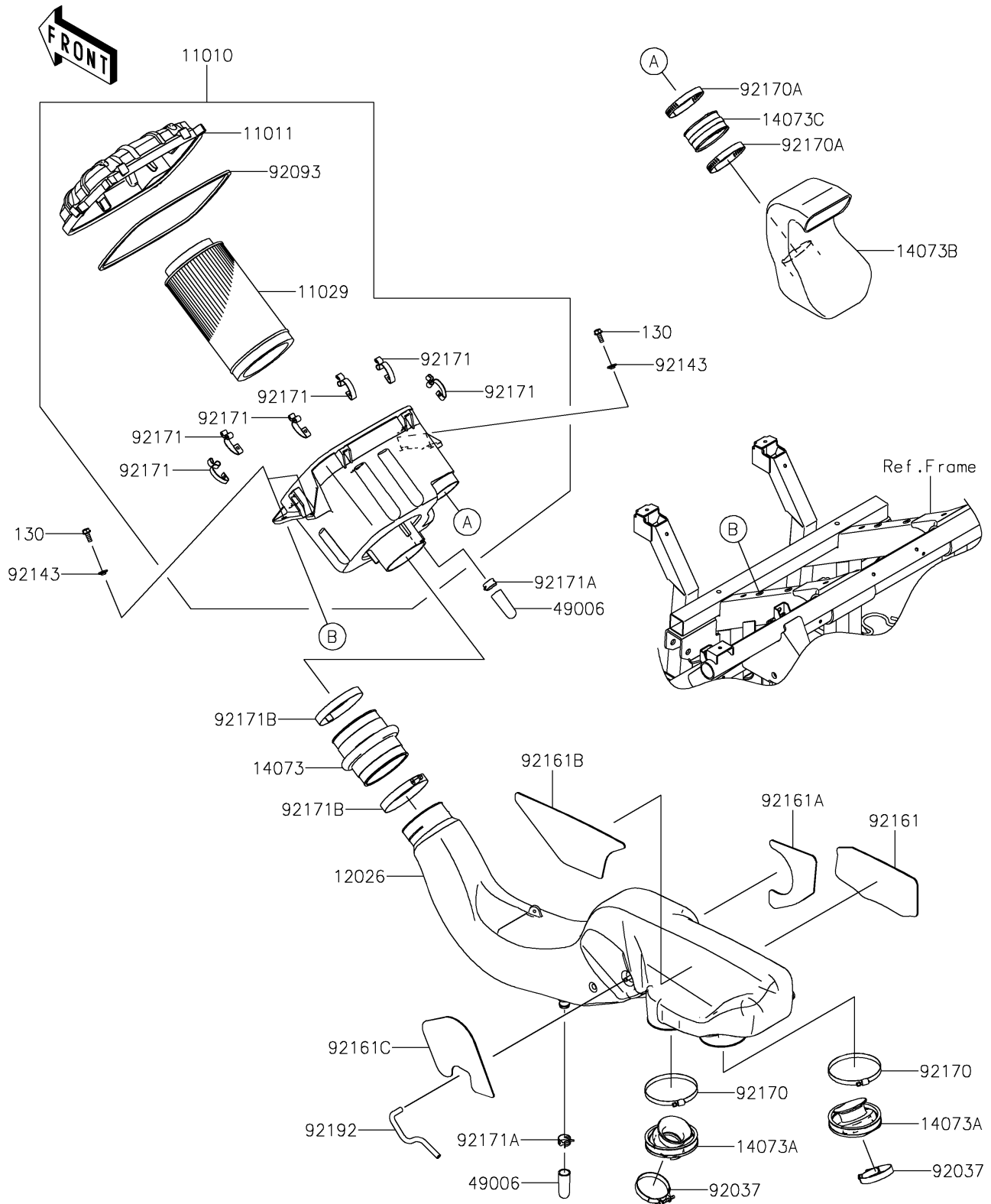


2024 TERYX4™ S LE

PARTS DIAGRAM

Air Cleaner

E1130



2024 TERYX4™ S LE

PARTS LIST

Air Cleaner

| ITEM NAME | PART NUMBER | QUANTITY |
|---------------------------------------|-------------|----------|
| FILTER-ASSY-AIR (Ref # 11010) | 11010-1873 | 1 |
| CASE-AIR FILTER (Ref # 11011) | 11011-0784 | 1 |
| ELEMENT-ASSY-AIR FILTER (Ref # 11029) | 11029-0740 | 1 |
| CHAMBER (Ref # 12026) | 12026-0016 | 1 |
| DUCT,JOINT,A/C SIDE (Ref # 14073) | 14073-0757 | 1 |
| DUCT,THROTTLE-CHAMBER (Ref # 14073A) | 14073-0758 | 2 |
| DUCT,INTAKE (Ref # 14073B) | 14073-0767 | 1 |
| DUCT,JOINT (Ref # 14073C) | 14073-1775 | 1 |
| BOOT (Ref # 49006) | 49006-1351 | 2 |
| CLAMP (Ref # 92037) | 92037-1523 | 2 |
| SEAL (Ref # 92093) | 92093-0585 | 1 |
| COLLAR (Ref # 92143) | 92143-1087 | 4 |
| DAMPER,CHAMBER,RH,RR (Ref # 92161) | 92161-1518 | 1 |
| DAMPER,CHAMBER,RH,FR (Ref # 92161A) | 92161-1519 | 1 |
| DAMPER,CHAMBER,LH,RR (Ref # 92161B) | 92161-1520 | 1 |
| DAMPER,CHAMBER,LH,FR (Ref # 92161C) | 92161-1521 | 1 |
| CLAMP (Ref # 92170) | 92170-1676 | 2 |
| CLAMP (Ref # 92170A) | 92170-1764 | 2 |
| CLAMP (Ref # 92171) | 92171-0225 | 6 |
| CLAMP (Ref # 92171A) | 92171-1277 | 2 |
| CLAMP (Ref # 92171B) | 92171-3716 | 2 |
| TUBE,4X8X143 (Ref # 92192) | 92192-1230 | 1 |
| BOLT-FLANGED,6X16 (Ref # 130) | 130AA0616 | 4 |