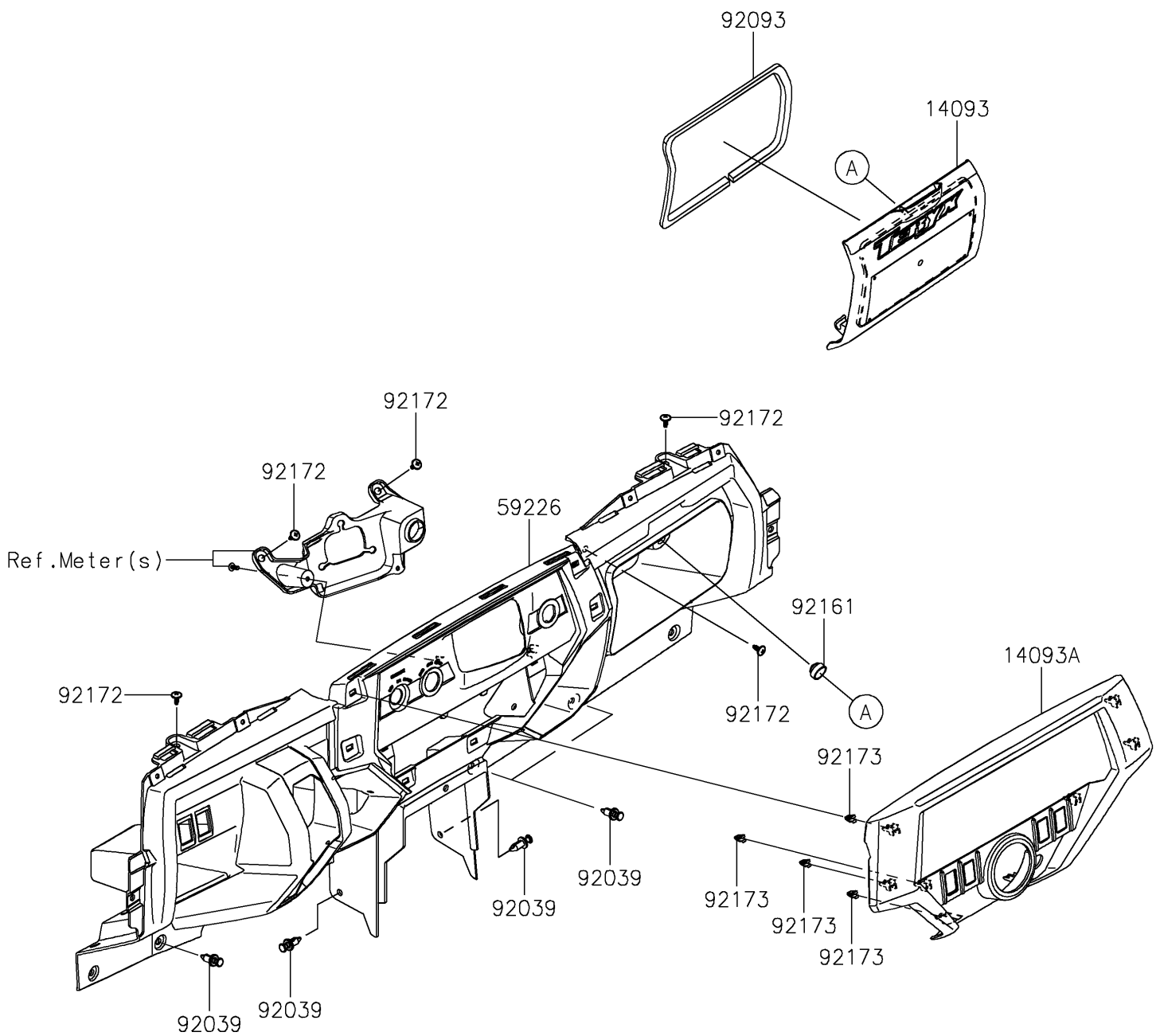


# 2023 TERYX4™ S SPECIAL EDITION

## PARTS DIAGRAM

### Front Box

F2135



# 2023 TERYX4™ S SPECIAL EDITION



## PARTS LIST

### Front Box

ITEM NAME	PART NUMBER	QUANTITY
-----------	-------------	----------

---