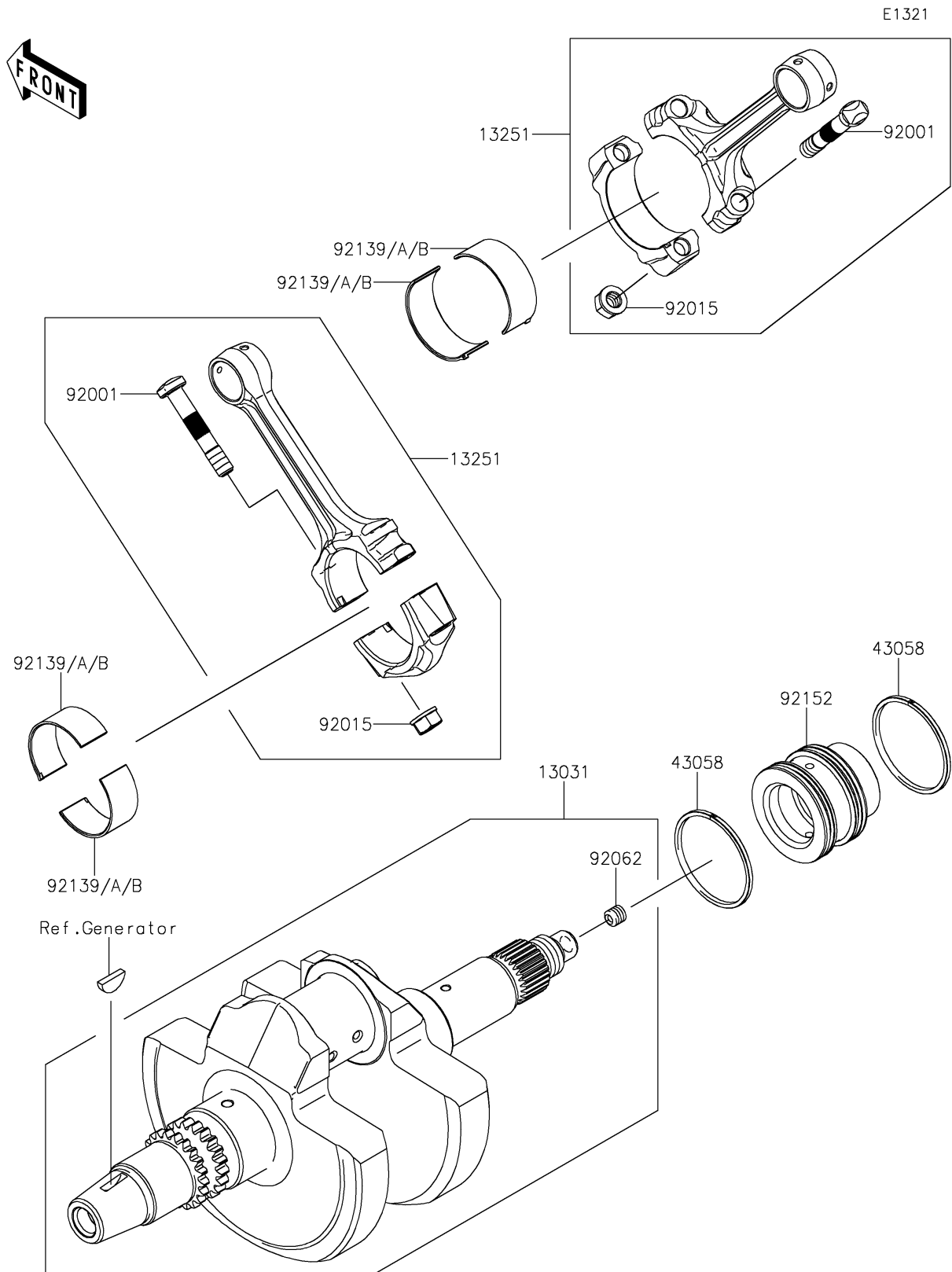


# 2025 TERYX4™ S SE

## PARTS DIAGRAM

### Crankshaft



# 2025 TERYX4™ S SE

## PARTS LIST

### Crankshaft



ITEM NAME	PART NUMBER	QUANTITY
-----------	-------------	----------

---