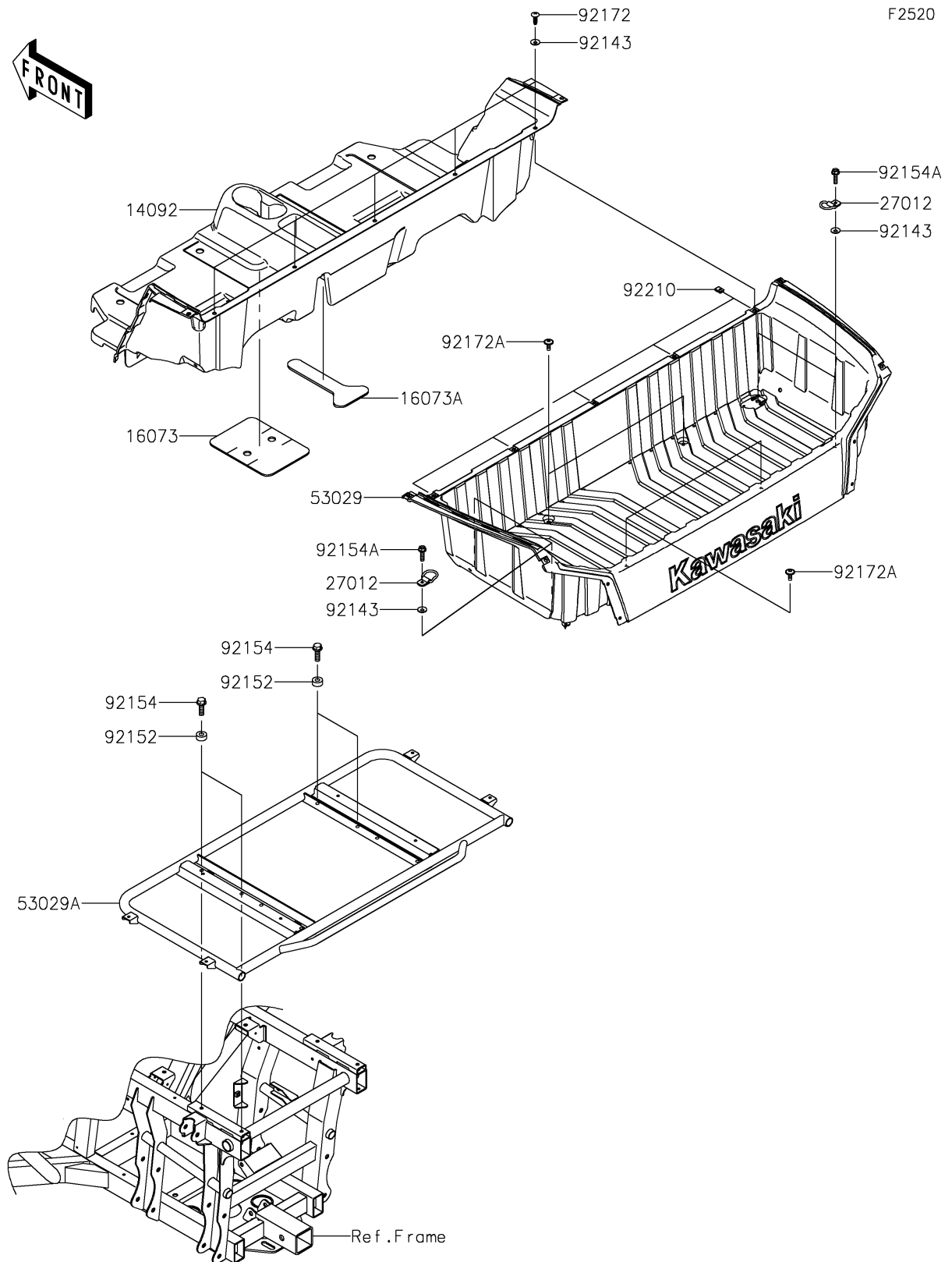


# 2024 TERYX4™

## PARTS DIAGRAM

Carrier(s)



# 2024 TERYX4™

## PARTS LIST

Carrier(s)



**ITEM NAME**

**PART NUMBER**

**QUANTITY**

---