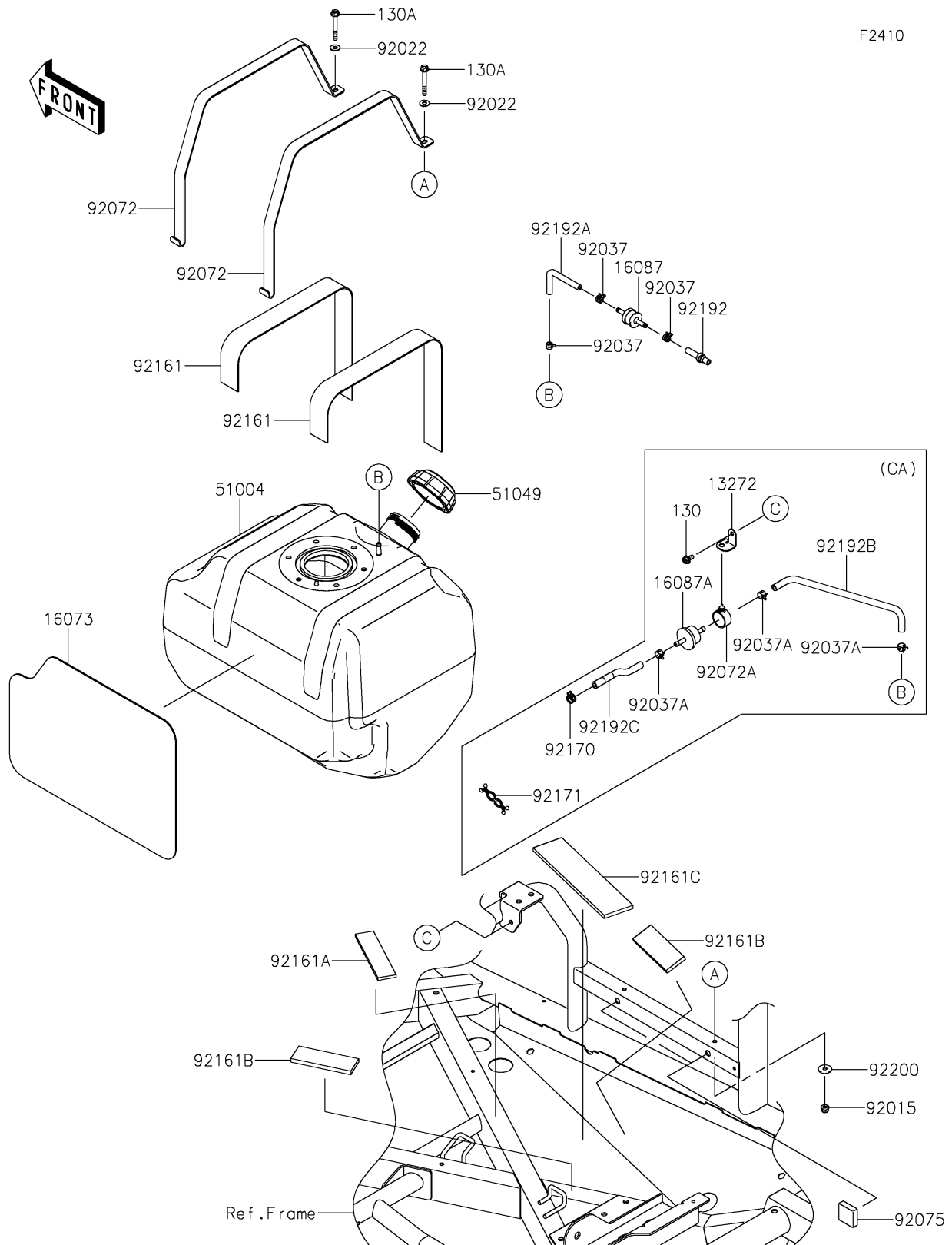


2023 Teryx4

PARTS DIAGRAM

Fuel Tank



2023 Teryx4

PARTS LIST

Fuel Tank

| ITEM NAME | PART NUMBER | QUANTITY |
|---|-------------|----------|
| PLATE (Ref # 13272) | 13272-2276 | 1 |
| INSULATOR (Ref # 16073) | 16073-0924 | 1 |
| VALVE-CHECK (Ref # 16087) | 16087-0008 | 1 |
| VALVE-CHECK (Ref # 16087A) | 16087-0011 | 1 |
| TANK-FUEL (Ref # 51004) | 51004-0002 | 1 |
| CAP-TANK,FUEL (Ref # 51049) | 51049-0718 | 1 |
| NUT,LOCK,FLANGED,6MM (Ref # 92015) | 92015-1339 | 2 |
| WASHER,7X16X1.2 (Ref # 92022) | 92022-1344 | 2 |
| CLAMP,TUBE (Ref # 92037) | 92037-1461 | 3 |
| CLAMP (Ref # 92037A) | 92037-2113 | 3 |
| BAND,FUEL TANK (Ref # 92072) | 92072-0704 | 2 |
| BAND (Ref # 92072A) | 92072-0852 | 1 |
| DAMPER (Ref # 92075) | 92075-1882 | 2 |
| DAMPER,FUEL TANK (Ref # 92161) | 92161-0794 | 2 |
| DAMPER,31.1X130X5 (Ref # 92161A) | 92161-0936 | 1 |
| DAMPER,38X105X7 (Ref # 92161B) | 92161-0948 | 2 |
| DAMPER,55X225X6.35 (Ref # 92161C) | 92161-1811 | 1 |
| CLAMP (Ref # 92170) | 92170-2082 | 1 |
| CLAMP (Ref # 92171) | 92171-0476 | 1 |
| TUBE,FRAME PIPE-CHECK VALVE (Ref # 92192) | 92192-0068 | 1 |
| TUBE,VENT (Ref # 92192A) | 92192-0949 | 1 |
| TUBE,5X10.4X40/240 (Ref # 92192B) | 92192-1735 | 1 |
| TUBE,FILTER-CHECK VALVE (Ref # 92192C) | 92192-2259 | 1 |
| WASHER,6.5X22X1.6 (Ref # 92200) | 92200-1087 | 2 |
| BOLT-FLANGED,6X12 (Ref # 130) | 130BA0612 | 1 |
| BOLT-FLANGED,6X50 (Ref # 130A) | 130BA0650 | 2 |