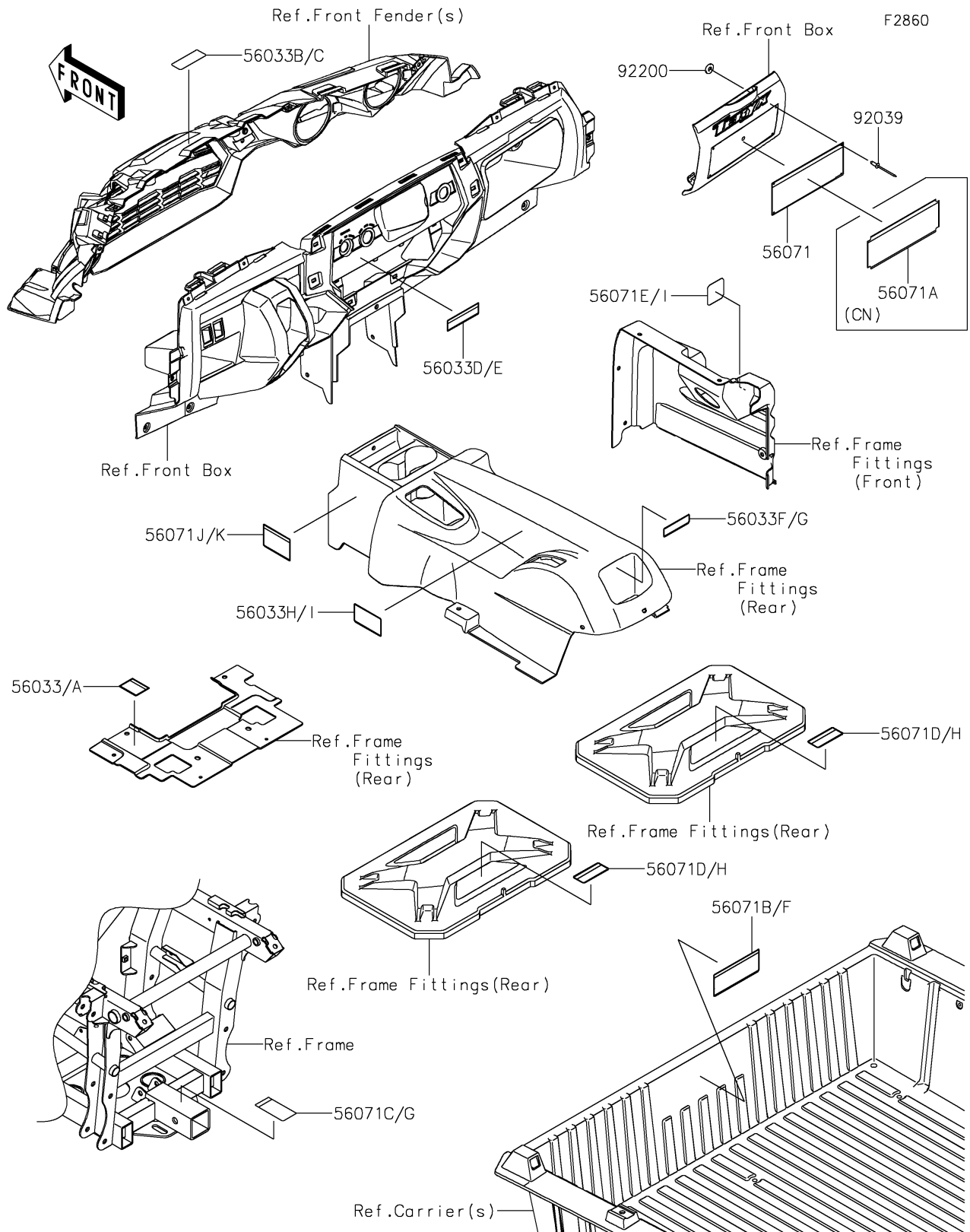


# 2022 TERYX® S LE

## PARTS DIAGRAM

### Labels



# 2022 TERYX<sup>®</sup> S LE

## PARTS LIST

### Labels

**ITEM NAME**

**PART NUMBER**

**QUANTITY**

---