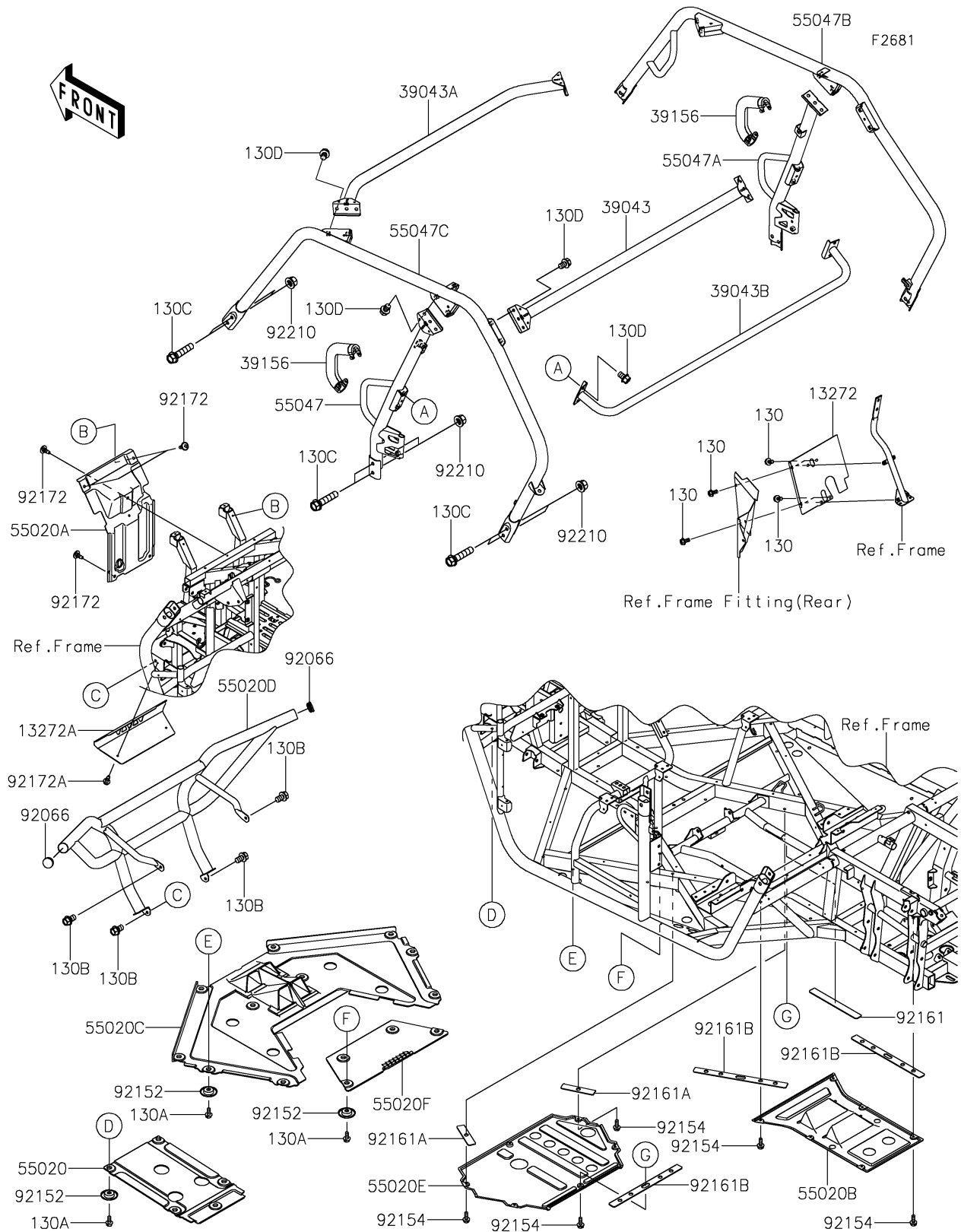


# 2024 TERYX® S LE

## PARTS DIAGRAM

### Guards/Cab Frame



# 2024 TERYX<sup>®</sup> S LE

## PARTS LIST

### Guards/Cab Frame

**ITEM NAME**

**PART NUMBER**

**QUANTITY**

---