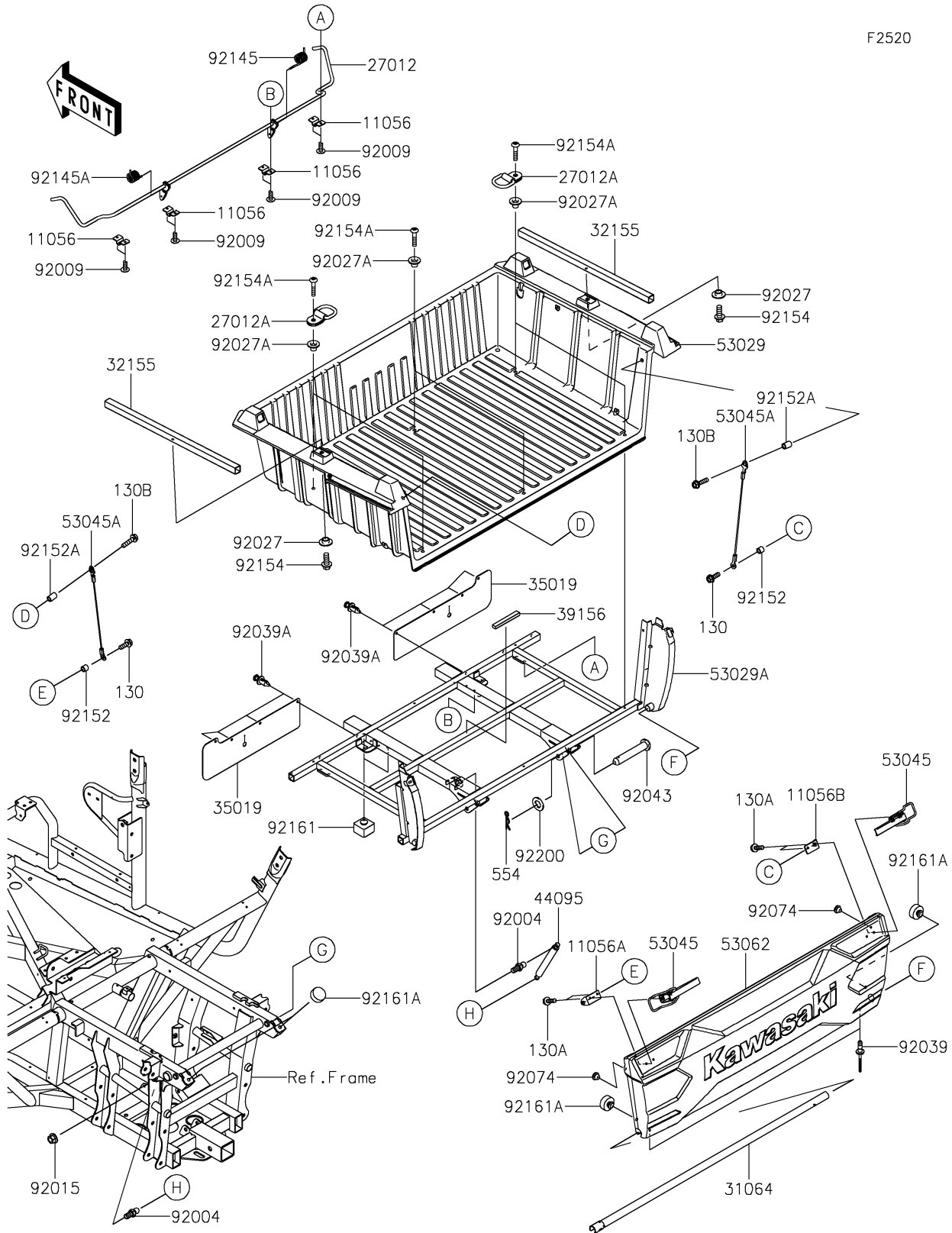


# 2025 TERYX® S LE

## PARTS DIAGRAM

Carrier(s)

F2520



# 2025 TERYX® S LE

## PARTS LIST

Carrier(s)

**ITEM NAME**

**PART NUMBER**

**QUANTITY**

---