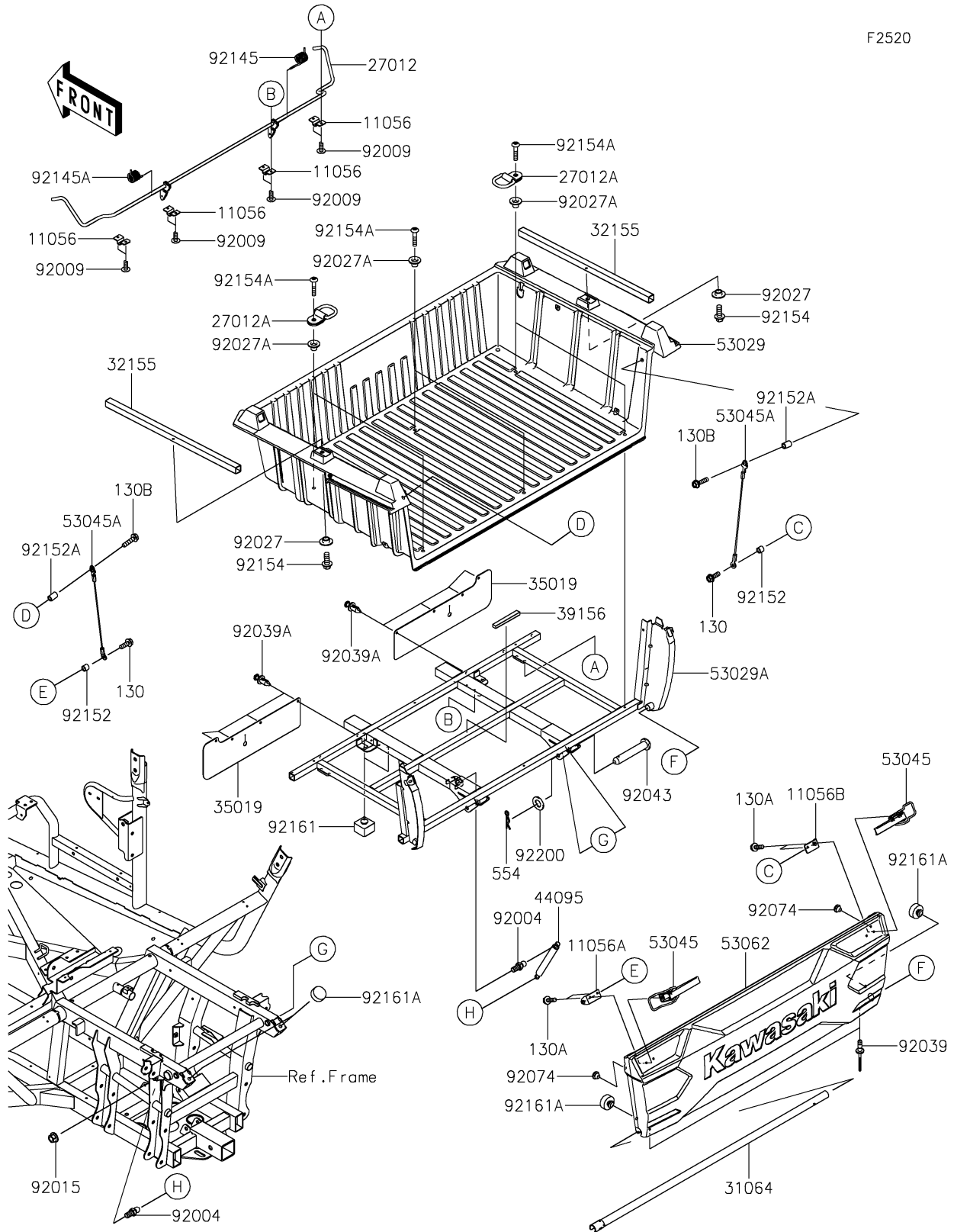


2022 Teryx[®] S

PARTS DIAGRAM

Carrier(s)

F2520



2022 Teryx[®] S

PARTS LIST

Carrier(s)

ITEM NAME	PART NUMBER	QUANTITY
BRACKET,ROD (Ref # 11056)	11056-2422	4
BRACKET (Ref # 11056A)	11056-2437	1
BRACKET (Ref # 11056B)	11056-2447	1
HOOK,ROD (Ref # 27012)	27012-0744	1
HOOK (Ref # 27012A)	27012-0766	4
PIPE-COMP,PIVOT (Ref # 31064)	31064-0656	1
PIPE,ACCESSORY RAIL (Ref # 32155)	32155-1360	2
FLAP,MUD (Ref # 35019)	35019-0583	2
PAD (Ref # 39156)	39156-0068	1
DAMPER-GAS FILLED (Ref # 44095)	44095-0001	1
CARRIER (Ref # 53029)	53029-0332	1
CARRIER (Ref # 53029A)	53029-0339	1
HOOK-ASSY,LATCH (Ref # 53045)	53045-0020	2
HOOK-ASSY,426MM (Ref # 53045A)	53045-0027	2
GATE-TAIL (Ref # 53062)	53062-0023	1
STUD (Ref # 92004)	92004-0733	2
SCREW,TAPPING,6X16 (Ref # 92009)	92009-1166	8
NUT,FLANGED,8MM (Ref # 92015)	92015-1406	1
COLLAR (Ref # 92027)	92027-1745	2
COLLAR (Ref # 92027A)	92027-1767	6
RIVET,6.35X17.9 (Ref # 92039)	92039-0746	2
RIVET (Ref # 92039A)	92039-0776	8
PIN,12.4X72.4 (Ref # 92043)	92043-0716	2
PLUG,7X2 (Ref # 92074)	92074-028	2
SPRING (Ref # 92145)	92145-1609	1
SPRING (Ref # 92145A)	92145-1610	1
COLLAR,6.3X9.5X8 (Ref # 92152)	92152-0621	2
COLLAR,6.2X9.5X14.0 (Ref # 92152A)	92152-1750	2
BOLT,FLANGED,8X20 (Ref # 92154)	92154-1226	2

2022 Teryx[®] S

PARTS LIST

Carrier(s)

ITEM NAME	PART NUMBER	QUANTITY
BOLT,TORX,6X30 (Ref # 92154A)	92154-1316	6
DAMPER (Ref # 92161)	92161-0421	4
DAMPER,SEAT (Ref # 92161A)	92161-1065	4
WASHER,13X24X2 (Ref # 92200)	92200-0451	2
BOLT-FLANGED,6X18 (Ref # 130)	130BB0618	2
BOLT-FLANGED,6X20 (Ref # 130A)	130BB0620	4
BOLT-FLANGED,6X25 (Ref # 130B)	130BB0625	2
PIN-SNAP,12MM (Ref # 554)	554DA1200	2