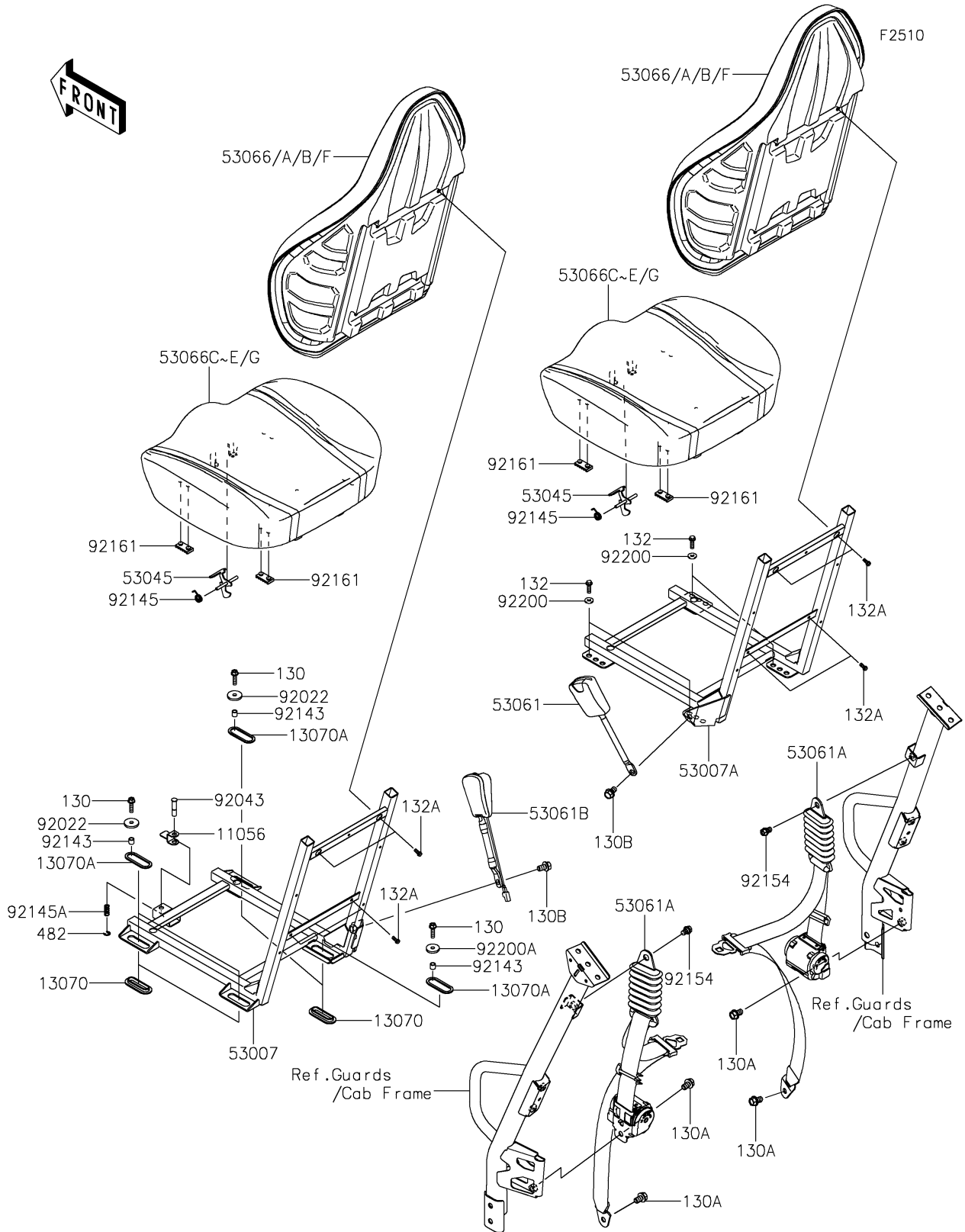


# 2024 TERYX® S LE

## PARTS DIAGRAM

### Seat



# 2024 TERYX<sup>®</sup> S LE

## PARTS LIST

Seat



ITEM NAME	PART NUMBER	QUANTITY
-----------	-------------	----------