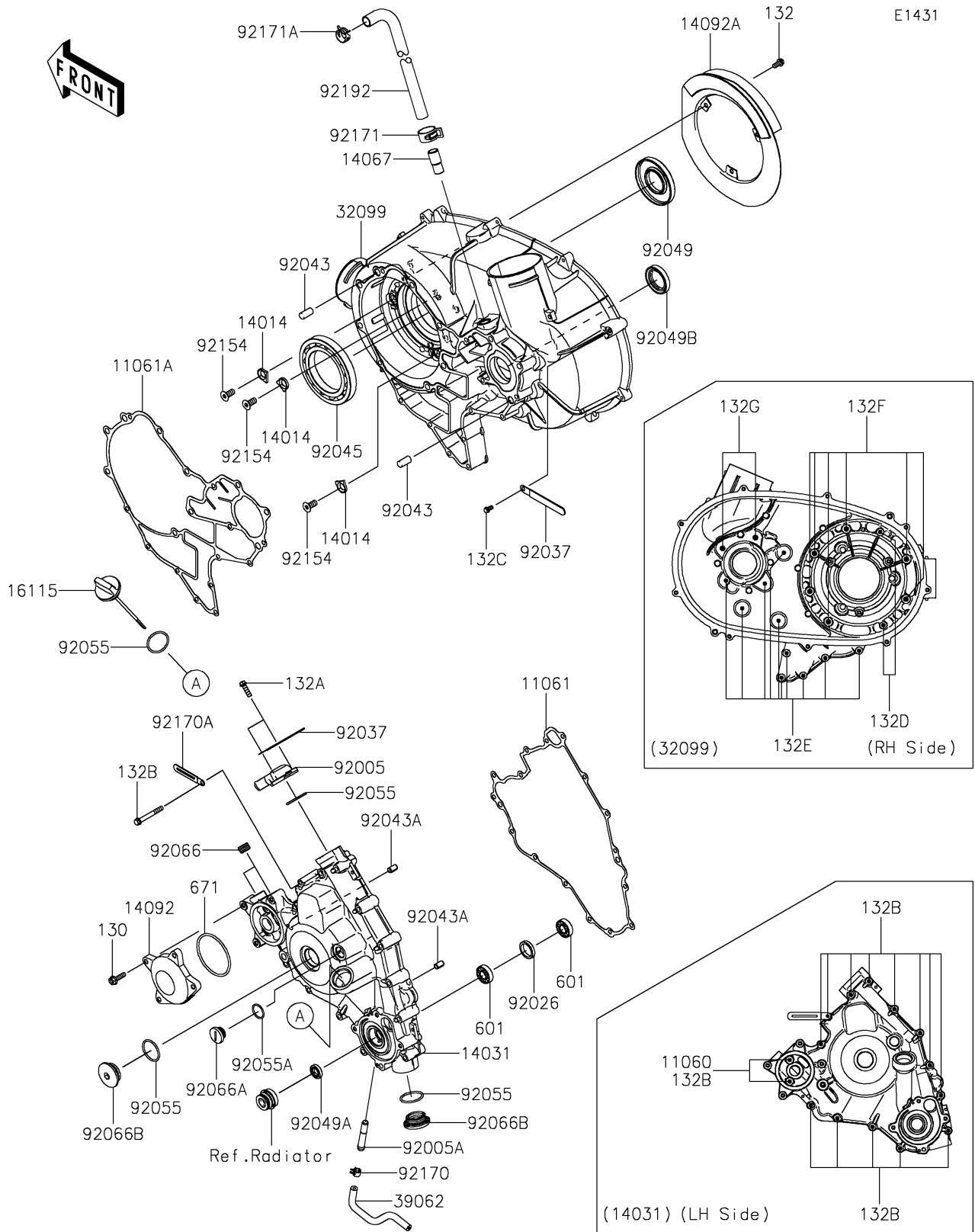


# 2025 TERYX® S LE

## PARTS DIAGRAM

### Engine Cover(s)



# 2025 TERYX<sup>®</sup> S LE

## PARTS LIST

Engine Cover(s)

**ITEM NAME**

**PART NUMBER**

**QUANTITY**

---