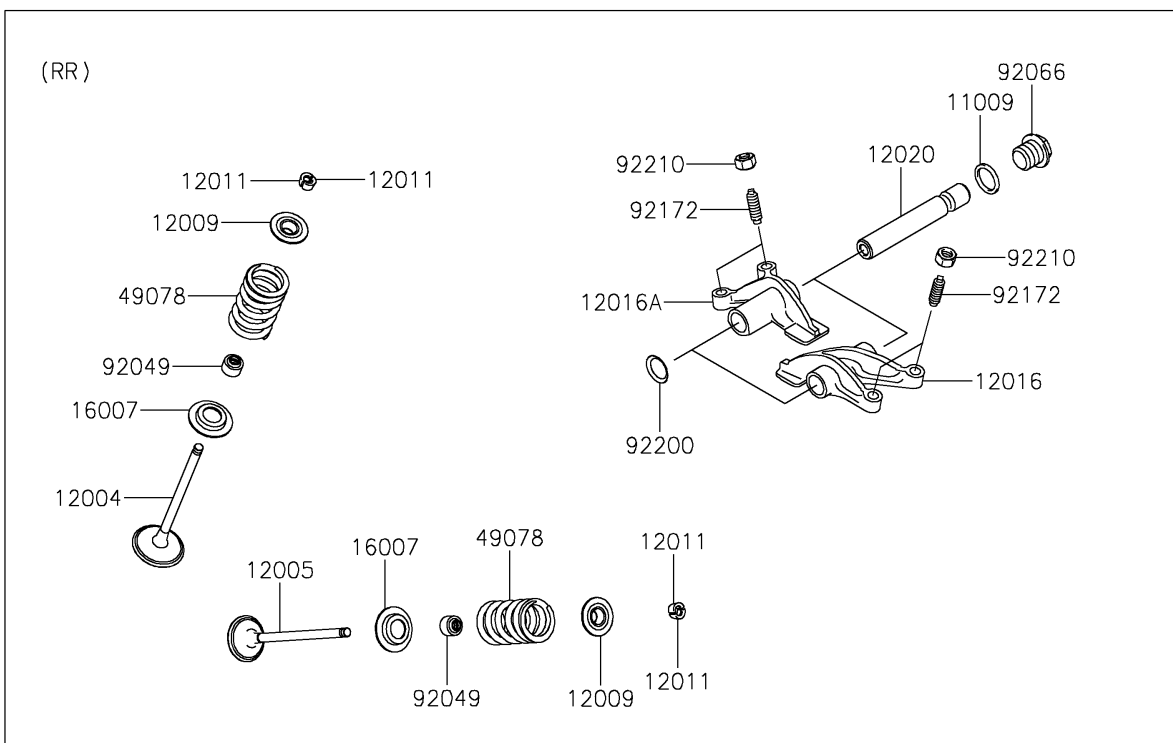
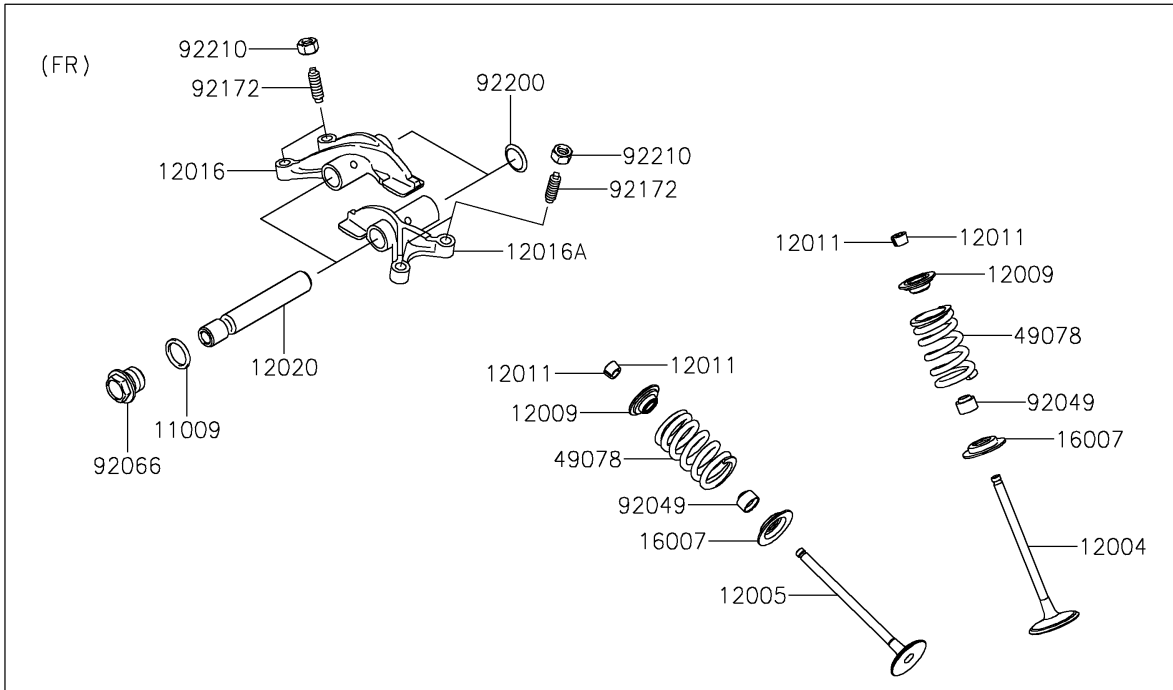


# 2025 TERYX® S LE

## PARTS DIAGRAM

Valve(s)

E1210



# 2025 TERYX<sup>®</sup> S LE

## PARTS LIST

Valve(s)



ITEM NAME	PART NUMBER	QUANTITY
-----------	-------------	----------

---