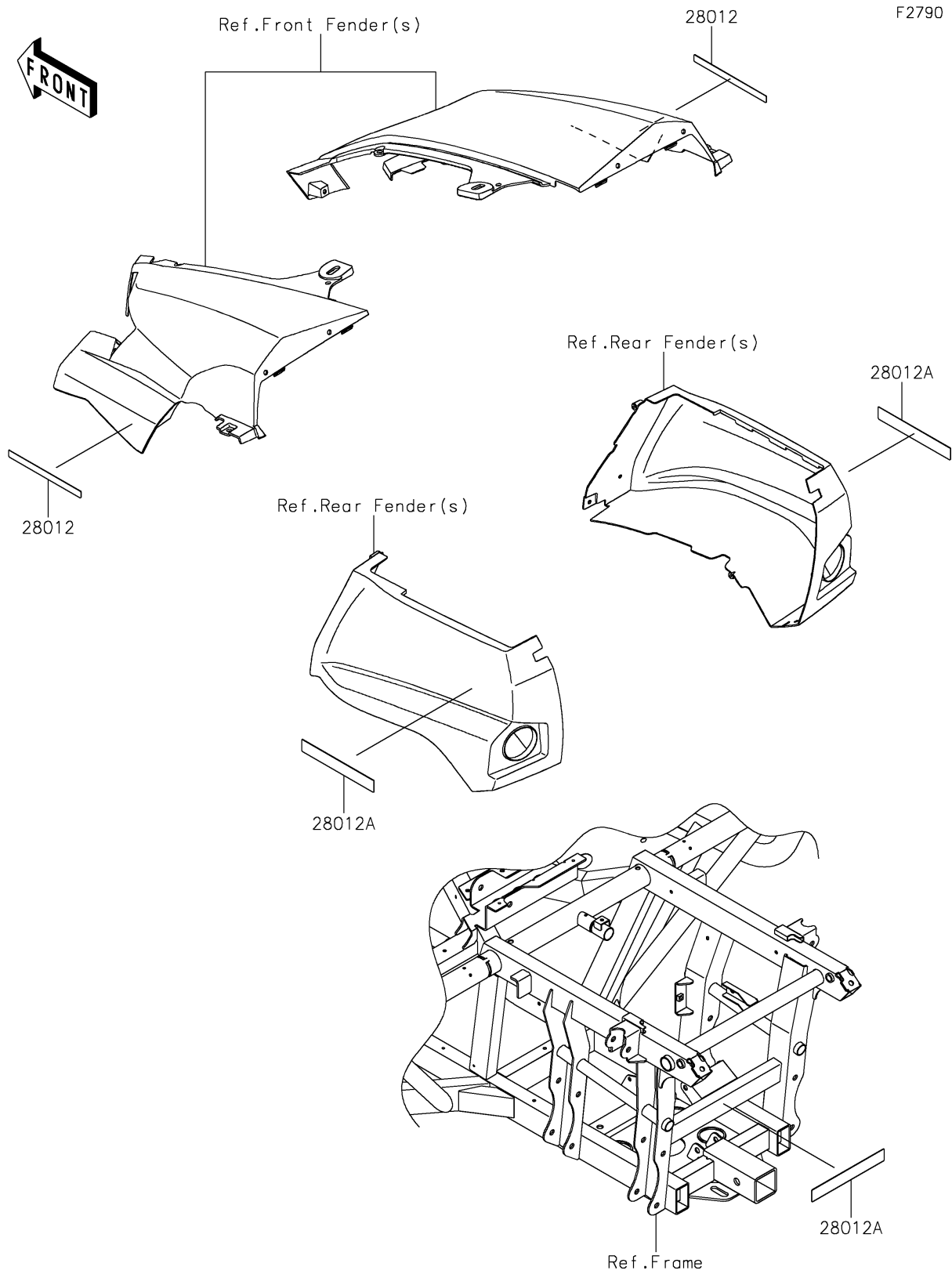


# 2023 TERYX®

## PARTS DIAGRAM

### Reflectors(CN)



# 2023 TERYX®

## PARTS LIST

### Reflectors(CN)

ITEM NAME	PART NUMBER	QUANTITY
REFLECTOR-REFLEX,FR (Ref # 28012)	28012-0014	2
REFLECTOR-REFLEX,RR,RED (Ref # 28012A)	28012-0023	3