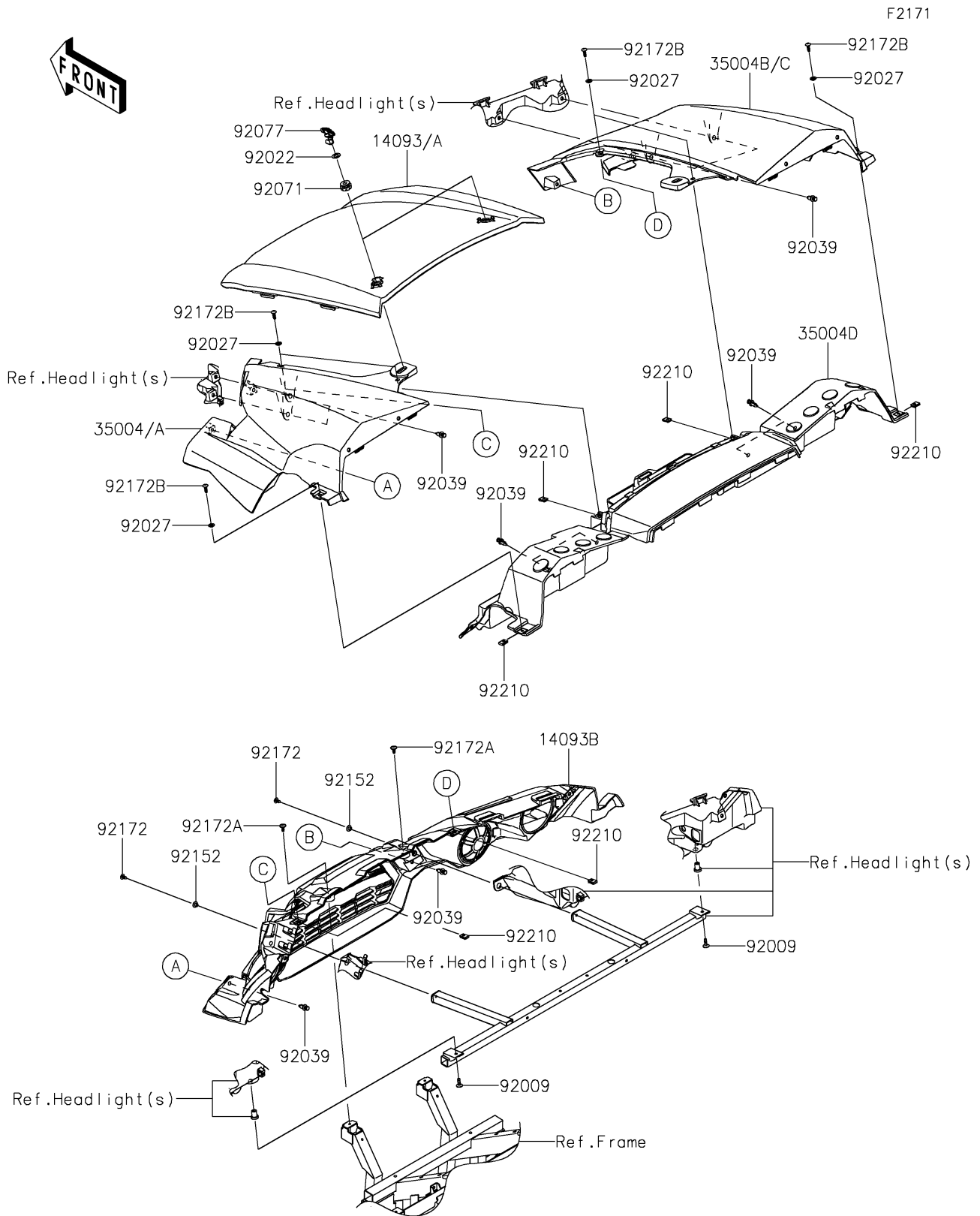


# 2022 Teryx

## PARTS DIAGRAM

### Front Fender(s)



# 2022 Teryx

## PARTS LIST

### Front Fender(s)

**ITEM NAME**

**PART NUMBER**

**QUANTITY**

---