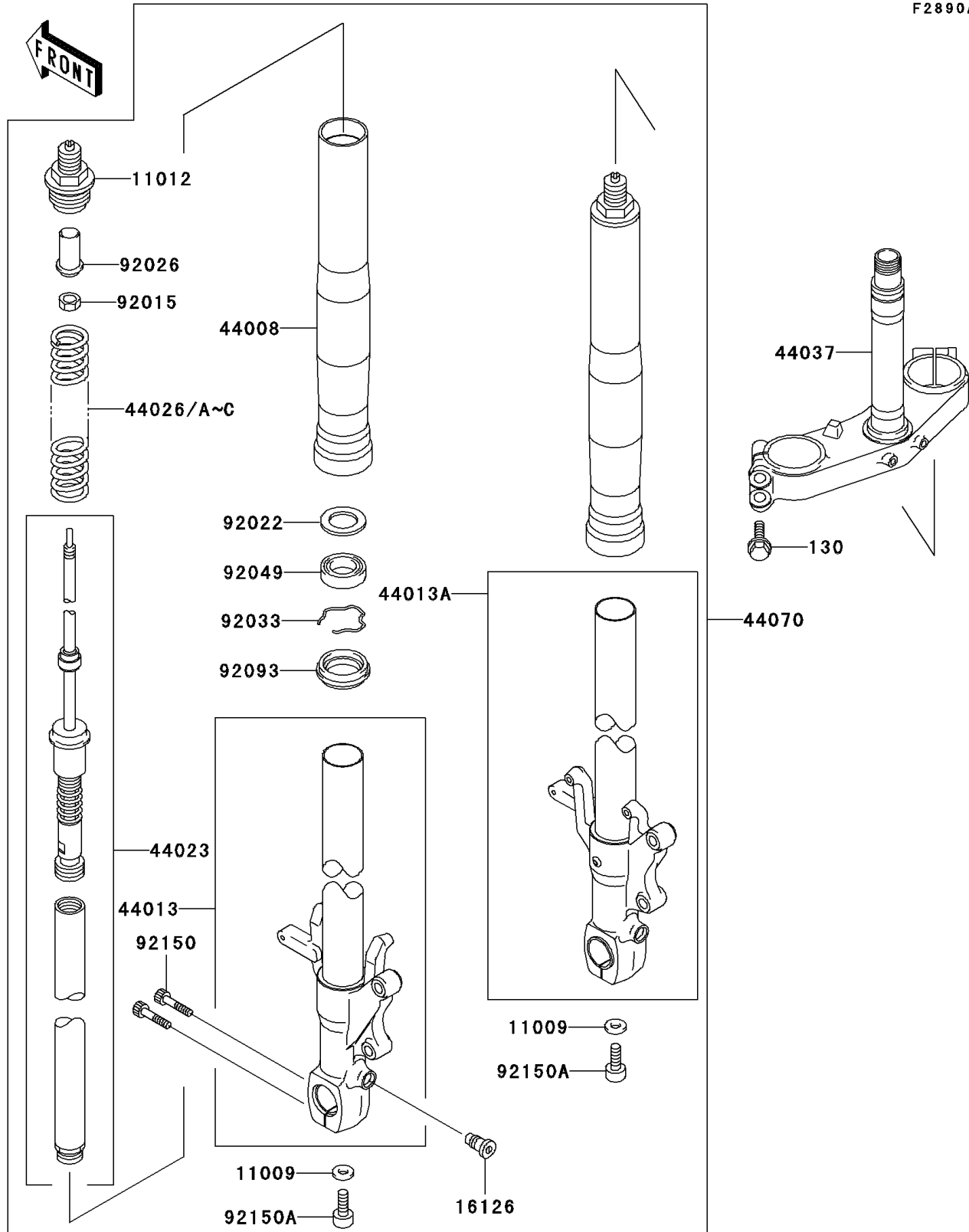


# 1996 Ninja<sup>®</sup> ZX<sup>™</sup>-7R

## PARTS DIAGRAM

### Optional Parts(ZX-7RR Front Fork)

F2890A



# 1996 Ninja® ZX™-7R

## PARTS LIST

### Optional Parts(ZX-7RR Front Fork)

ITEM NAME	PART NUMBER	QUANTITY
BOLT-FLANGED,8X40 (Ref # 130)	130G0840	4
GASKET,FORK CYLINDER BOLT (Ref # 11009)	11009-1127	2
CAP,FORK (Ref # 11012)	11012-1967	2
VALVE,FORK (Ref # 16126)	16126-1312	2
PIPE-FORK OUTER,A.BRONZE (Ref # 44008)	44008-1040-JS	2
PIPE-FORK INNER,LH,SILVER (Ref # 44013)	44013-1424-KF	1
PIPE-FORK INNER,RH,SILVER (Ref # 44013A)	44013-1425-KF	1
CYLINDER-COMP-FORK (Ref # 44023)	44023-1101	2
SPRING-FRONT FORK,K=0.95/1.2 (Ref # 44026)	44026-1609	2
SPRING-FRONT FORK,K=0.9 (Ref # 44026A)	44026-1627	2
SPRING-FRONT FORK,K=0.95 (Ref # 44026B)	44026-1628	2
SPRING-FRONT FORK,K=1.0 (Ref # 44026C)	44026-1629	2
HOLDER-FORK UNDER (Ref # 44037)	44037-1340	1
DAMPER-ASSY,FORK,SILVER (Ref # 44070)	44070-1489-KF	1
NUT (Ref # 92015)	92015-1795	2
WASHER (Ref # 92022)	92022-1299	2
SPACER,FORK (Ref # 92026)	92026-1477	2
RING-SNAP (Ref # 92033)	92033-1077	2
SEAL-OIL,FORK OUTER TUBE (Ref # 92049)	92049-1456	2
SEAL,FORK OUTER TUBE (Ref # 92093)	92093-1415	2
BOLT,SOCKET,8X40 (Ref # 92150)	92150-1194	4
BOLT,12X22 (Ref # 92150A)	92150-1398	2