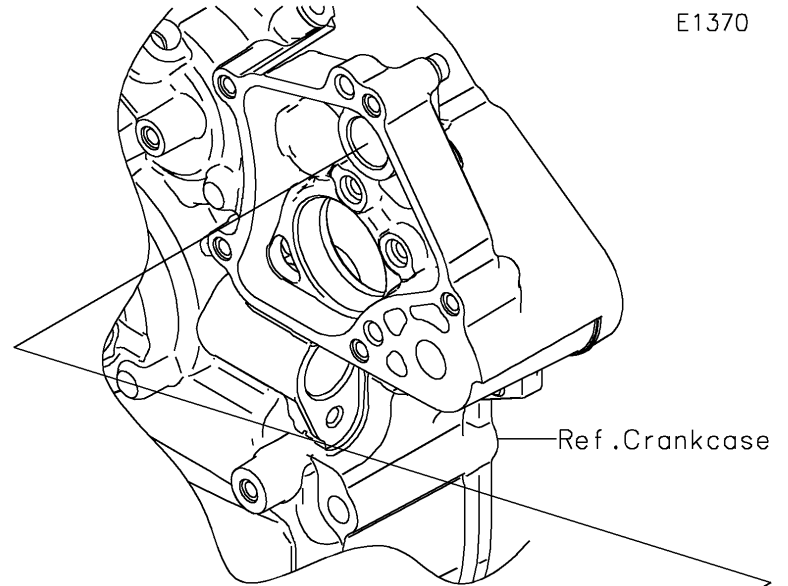


# 2021 TERYX®

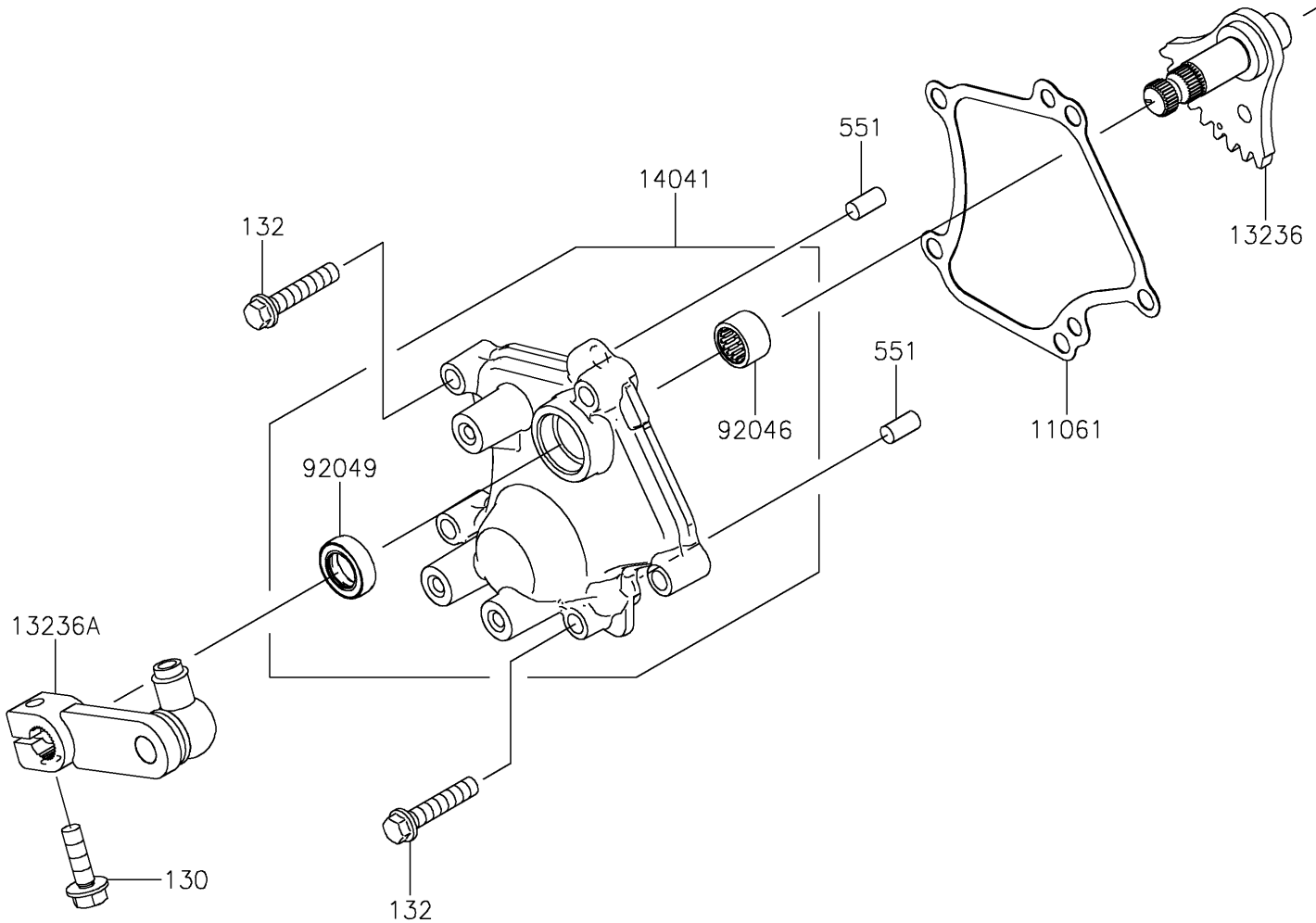
## PARTS DIAGRAM

### Gear Change Mechanism

E1370



Ref. Crankcase



# 2021 TERYX®

## PARTS LIST

### Gear Change Mechanism

ITEM NAME	PART NUMBER	QUANTITY
-----------	-------------	----------

---