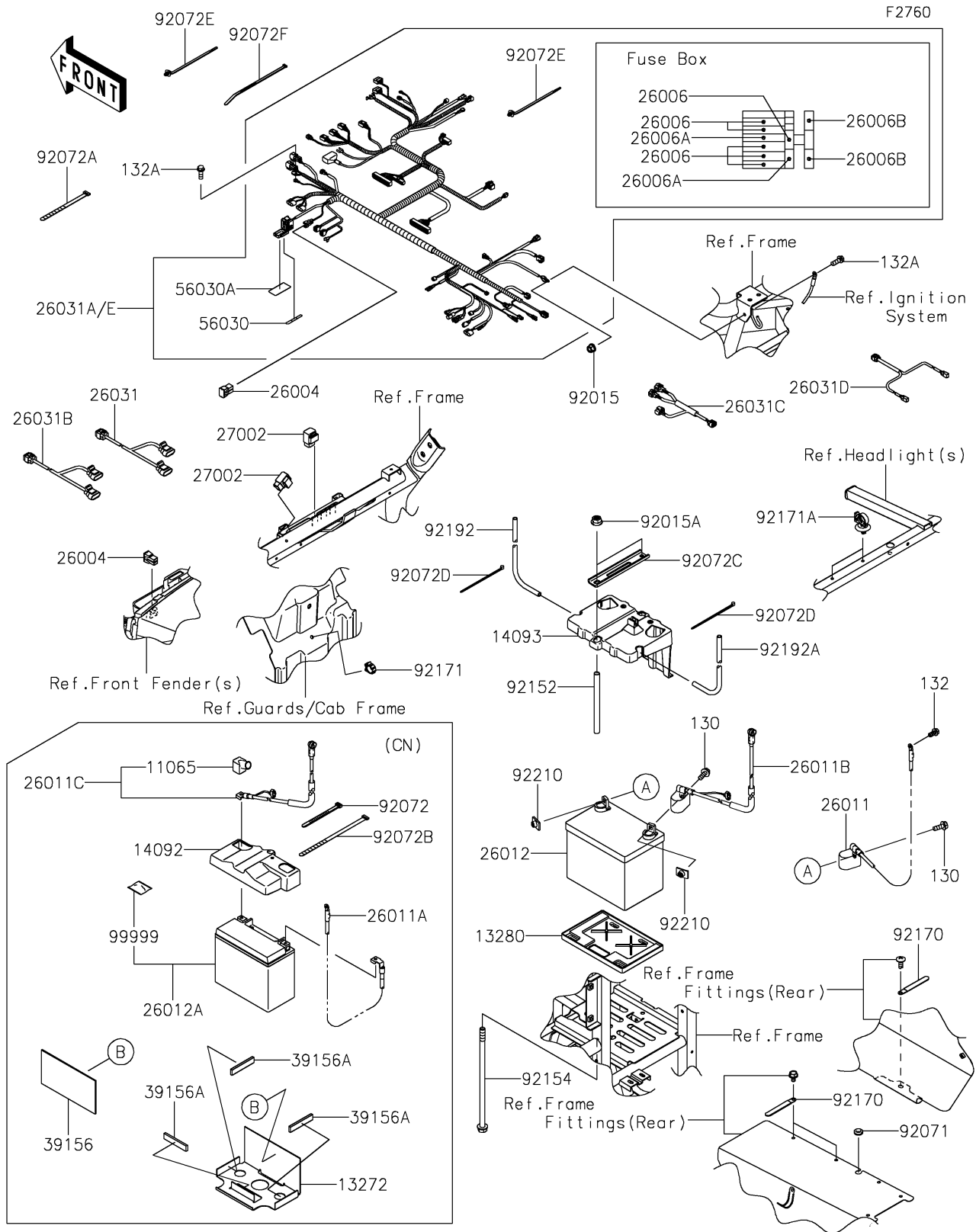


# 2019 TERYX® LE

## PARTS DIAGRAM

### Chassis Electrical Equipment



# 2019 TERYX<sup>®</sup> LE

## PARTS LIST

### Chassis Electrical Equipment

**ITEM NAME**

**PART NUMBER**

**QUANTITY**

---