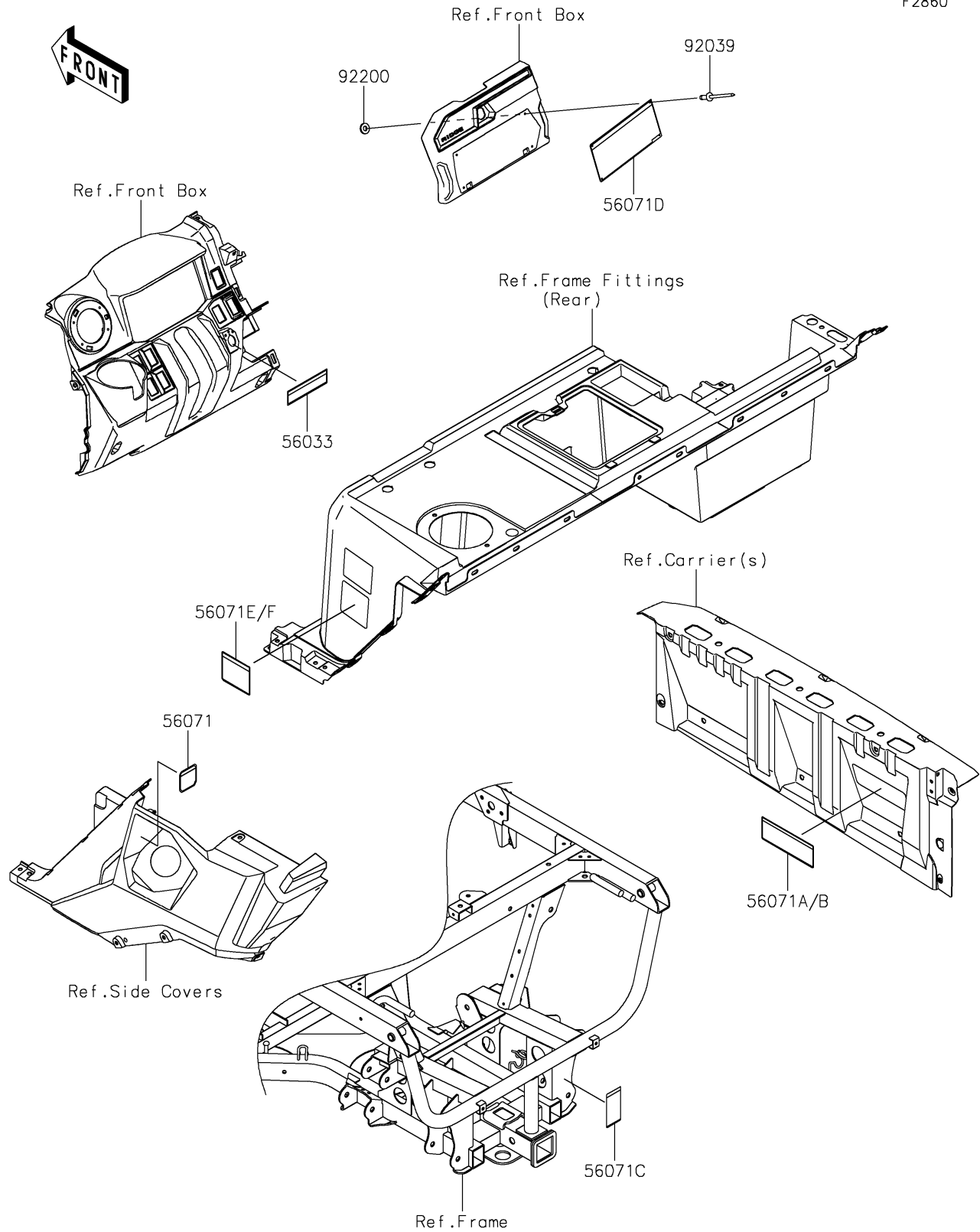


2025 RIDGE® XR CREW HVAC

PARTS DIAGRAM

Labels

F2860



2025 RIDGE® XR CREW HVAC

PARTS LIST

Labels



ITEM NAME

PART NUMBER

QUANTITY
