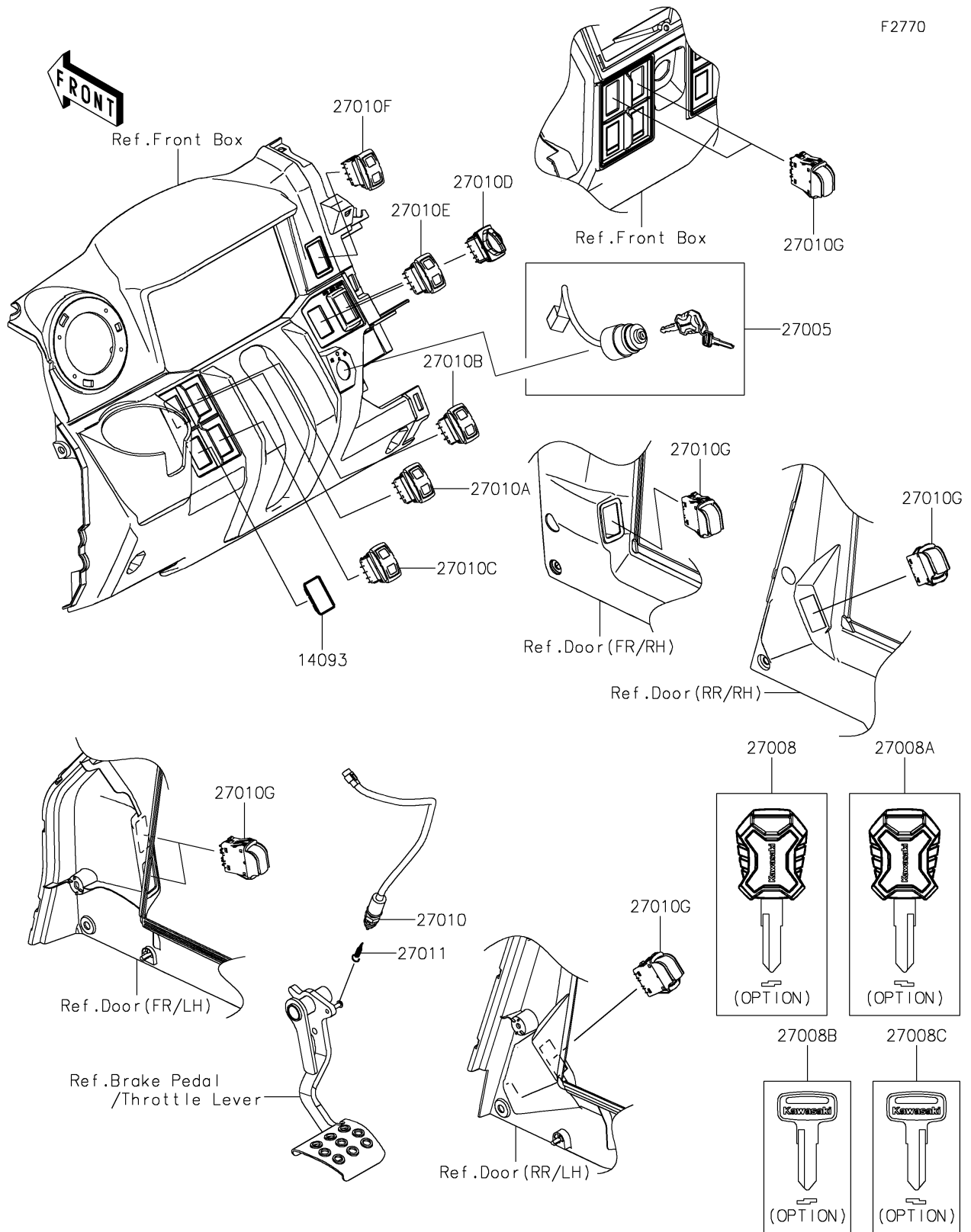


# 2025 RIDGE XR CREW

## PARTS DIAGRAM

### Ignition Switch



# 2025 RIDGE XR CREW

## PARTS LIST

### Ignition Switch

**ITEM NAME**

**PART NUMBER**

**QUANTITY**

---