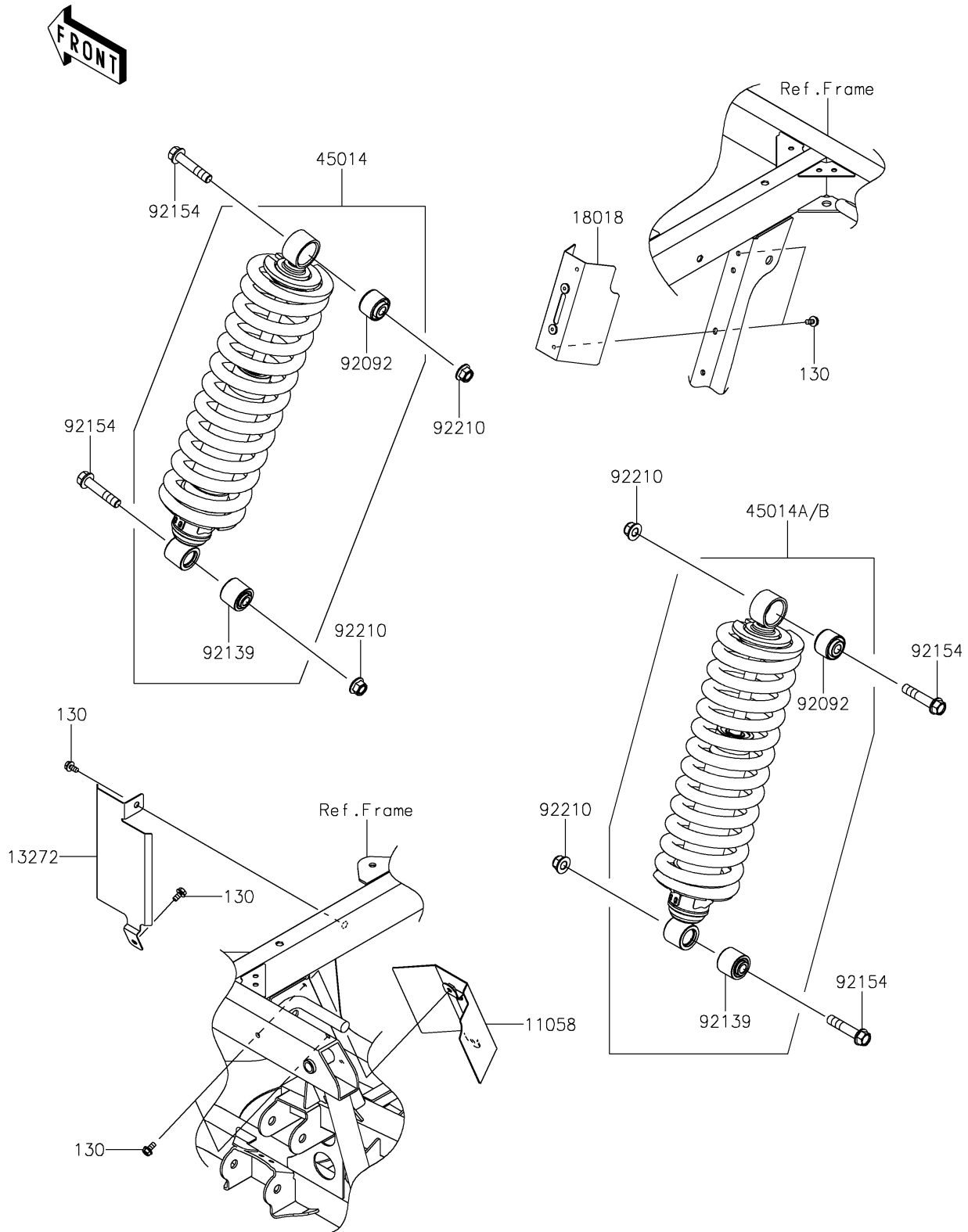


# 2025 RIDGE® XR CREW HVAC

## PARTS DIAGRAM

### Shock Absorber(s)

F2280



# 2025 RIDGE® XR CREW HVAC

## PARTS LIST

### Shock Absorber(s)

ITEM NAME	PART NUMBER	QUANTITY
-----------	-------------	----------

---