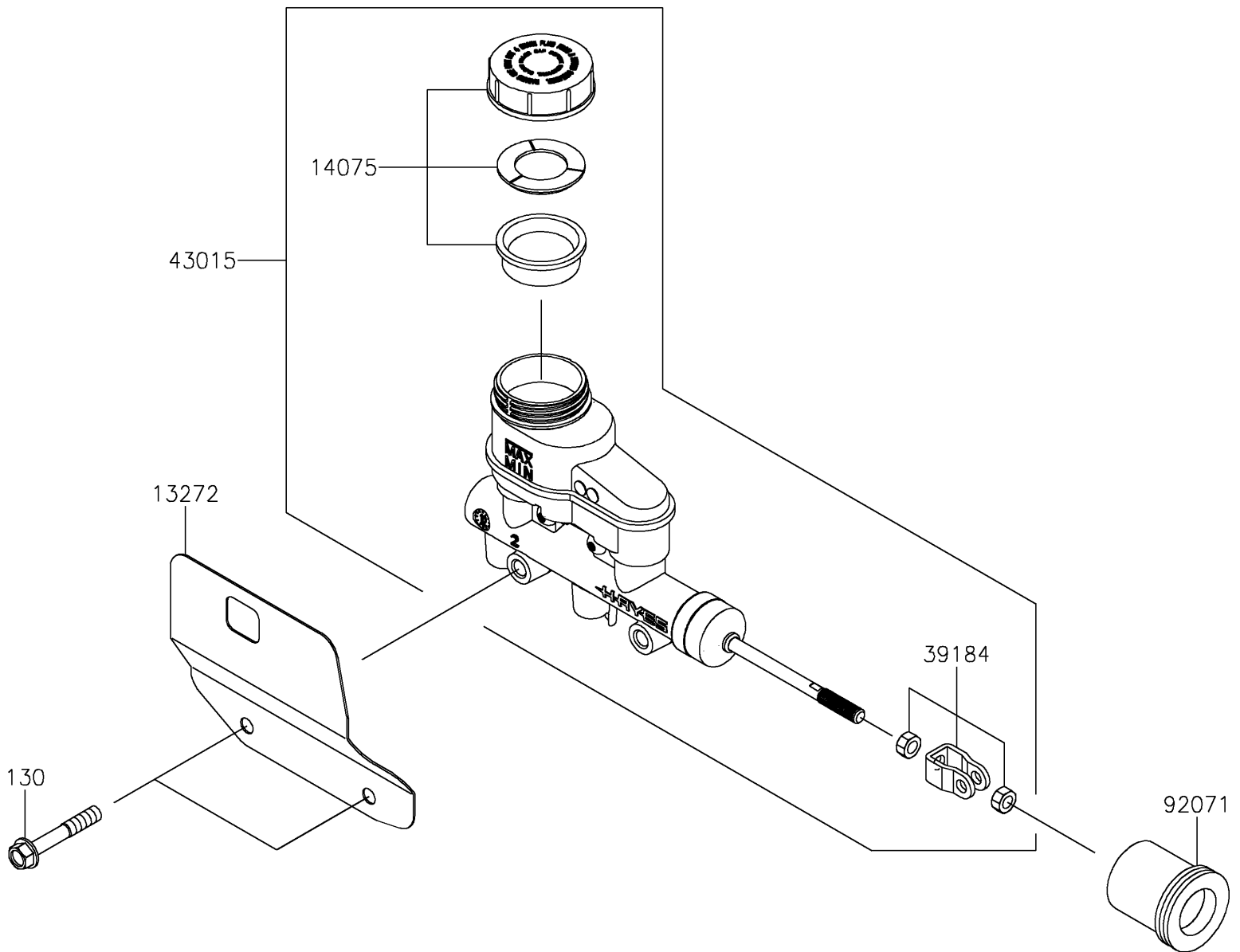


# 2025 RIDGE® XR CREW HVAC

## PARTS DIAGRAM

### Master Cylinder

F2261



# 2025 RIDGE® XR CREW HVAC

## PARTS LIST

### Master Cylinder

**ITEM NAME**

**PART NUMBER**

**QUANTITY**

---