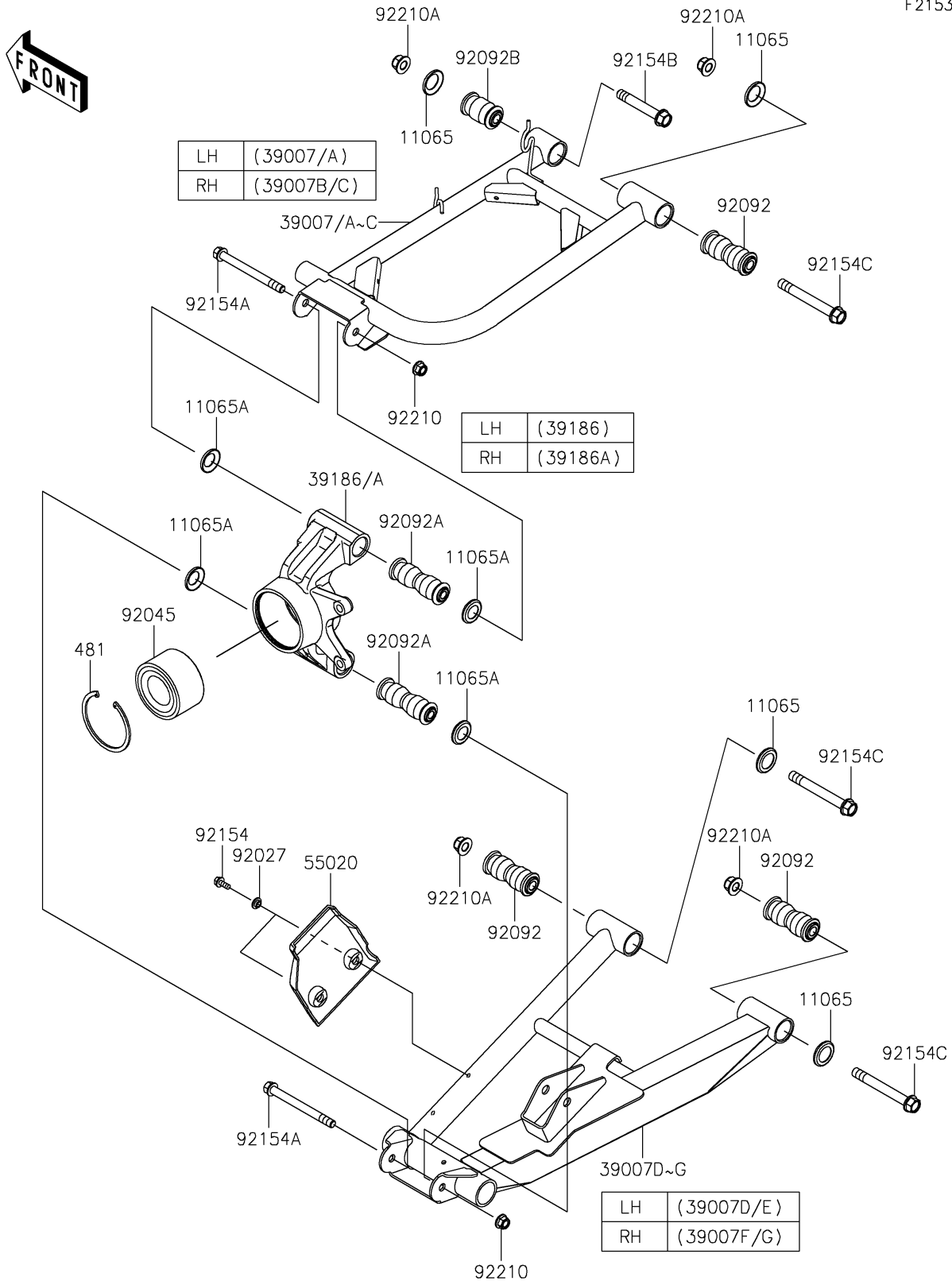


# 2025 RIDGE® XR CREW HVAC

## PARTS DIAGRAM

### Rear Suspension

F2153



# 2025 RIDGE® XR CREW HVAC

## PARTS LIST

### Rear Suspension



**ITEM NAME**

**PART NUMBER**

**QUANTITY**

---