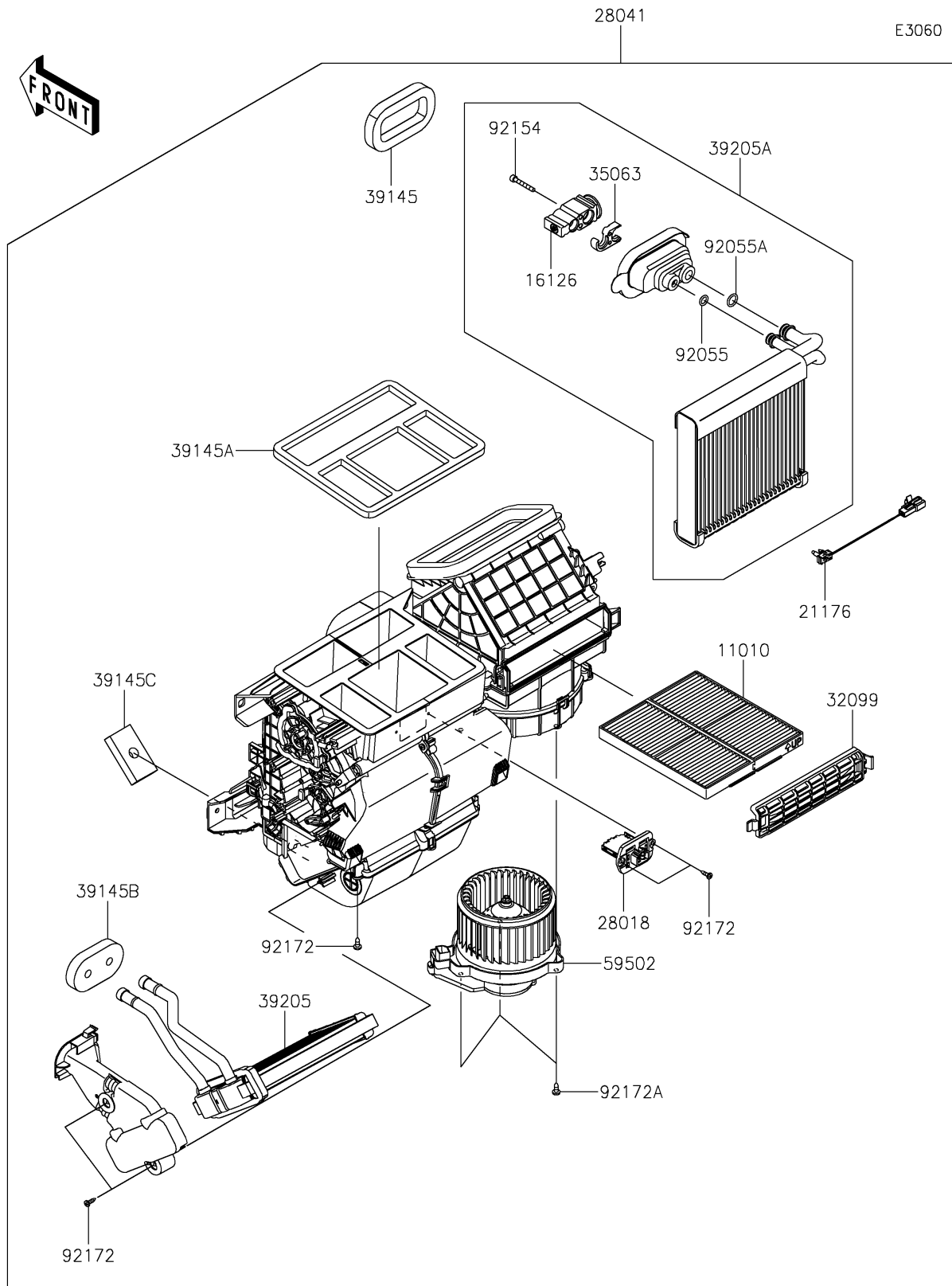


2025 RIDGE® XR CREW HVAC

PARTS DIAGRAM

HVAC Unit



2025 RIDGE® XR CREW HVAC

PARTS LIST

HVAC Unit

ITEM NAME

PART NUMBER

QUANTITY
