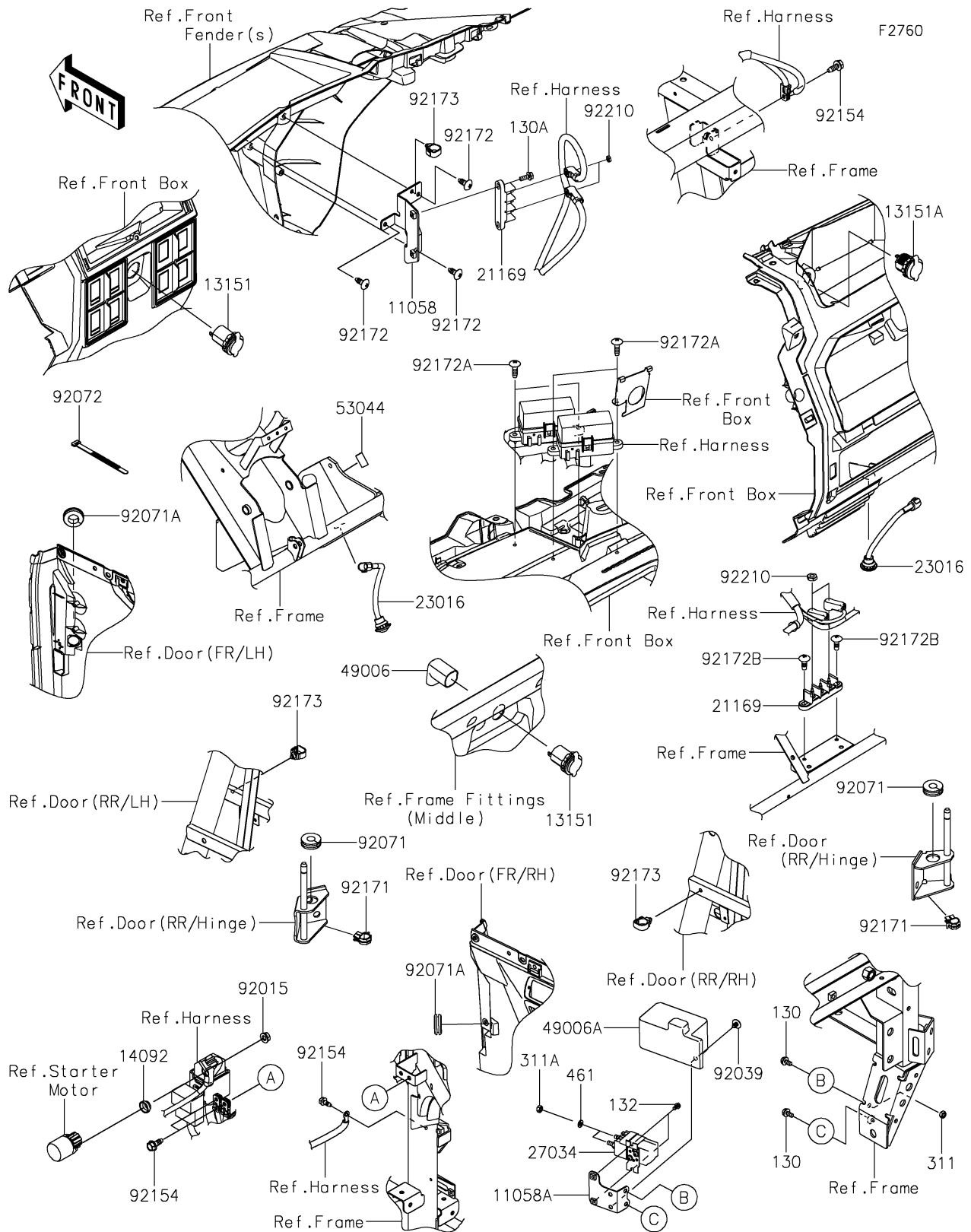


# 2025 RIDGE CREW HVAC Camo

## PARTS DIAGRAM

### Chassis Electrical Equipment



# 2025 RIDGE CREW HVAC Camo

## PARTS LIST

### Chassis Electrical Equipment

ITEM NAME	PART NUMBER	QUANTITY
-----------	-------------	----------

---