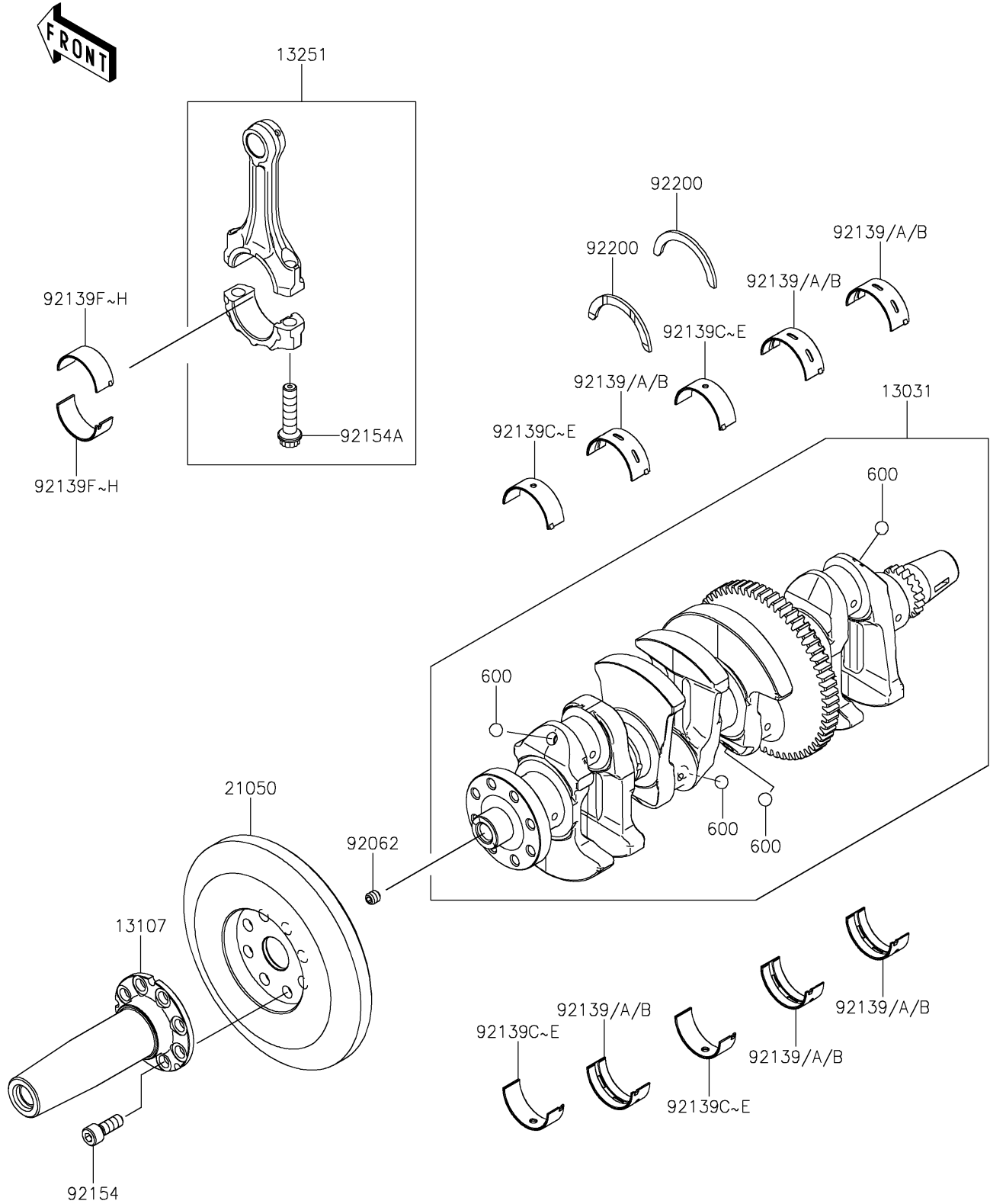


2025 RIDGE CREW HVAC

PARTS DIAGRAM

Crankshaft

E1321



2025 RIDGE CREW HVAC

PARTS LIST

Crankshaft



ITEM NAME	PART NUMBER	QUANTITY
-----------	-------------	----------
