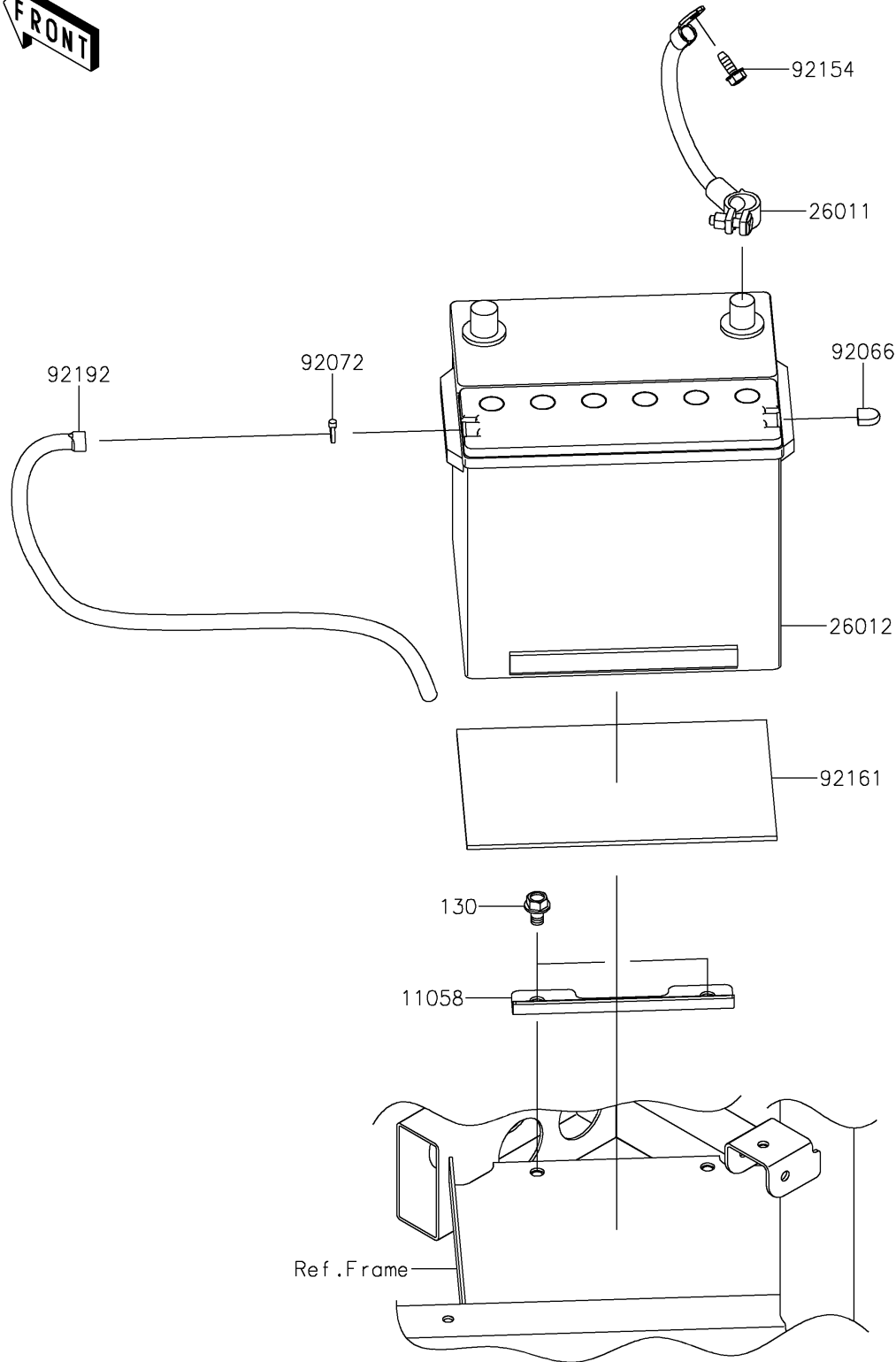


2025 Ridge Ranch Edition

PARTS DIAGRAM

Battery

F2761



2025 Ridge Ranch Edition

PARTS LIST

Battery

ITEM NAME

PART NUMBER

QUANTITY
