

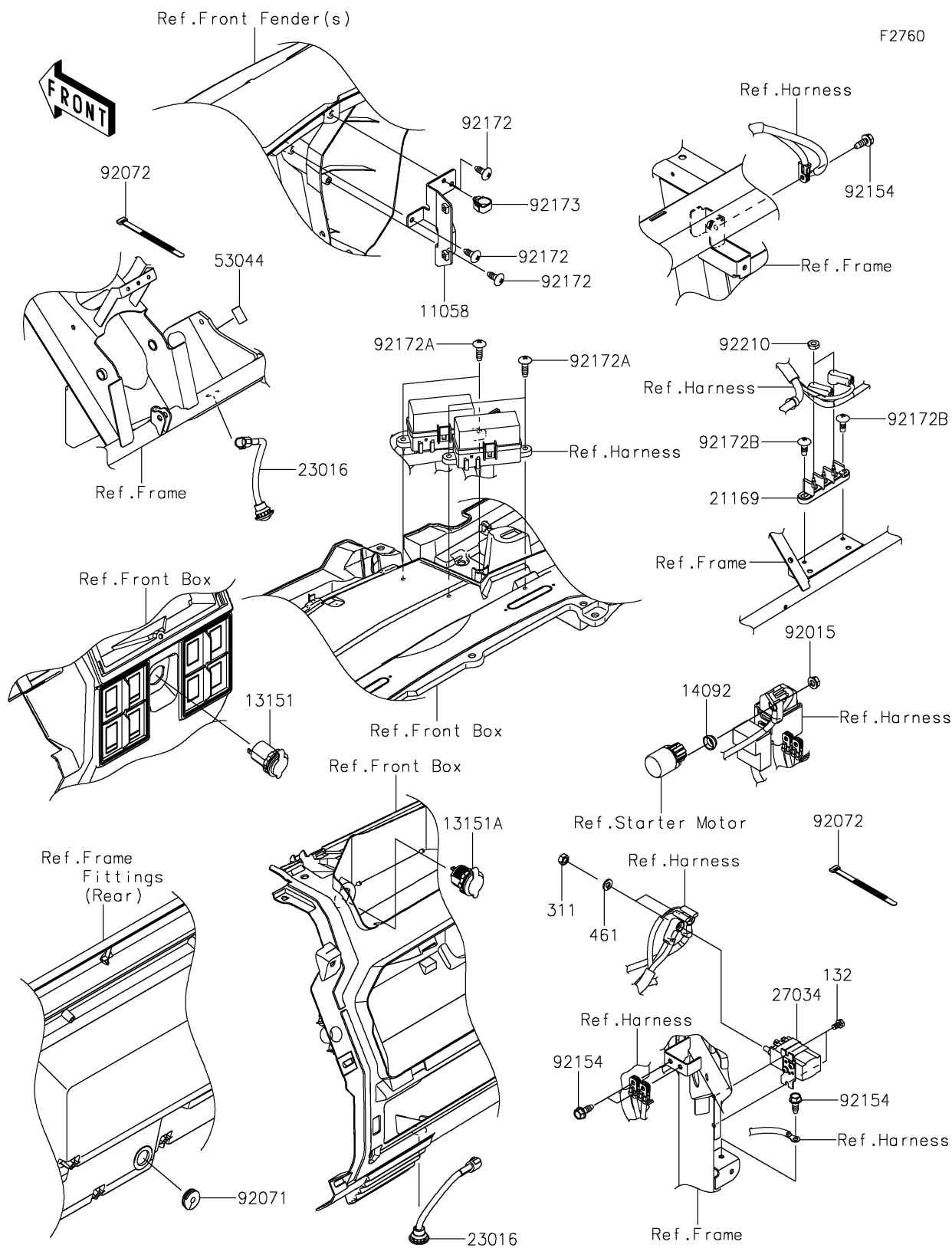
2025 Ridge Ranch Edition

Kawasaki

Let the Good Times Roll®

PARTS DIAGRAM

Chassis Electrical Equipment



2025 Ridge Ranch Edition



PARTS LIST

Chassis Electrical Equipment

ITEM NAME	PART NUMBER	QUANTITY
-----------	-------------	----------
