

# 2025 Ridge Ranch Edition

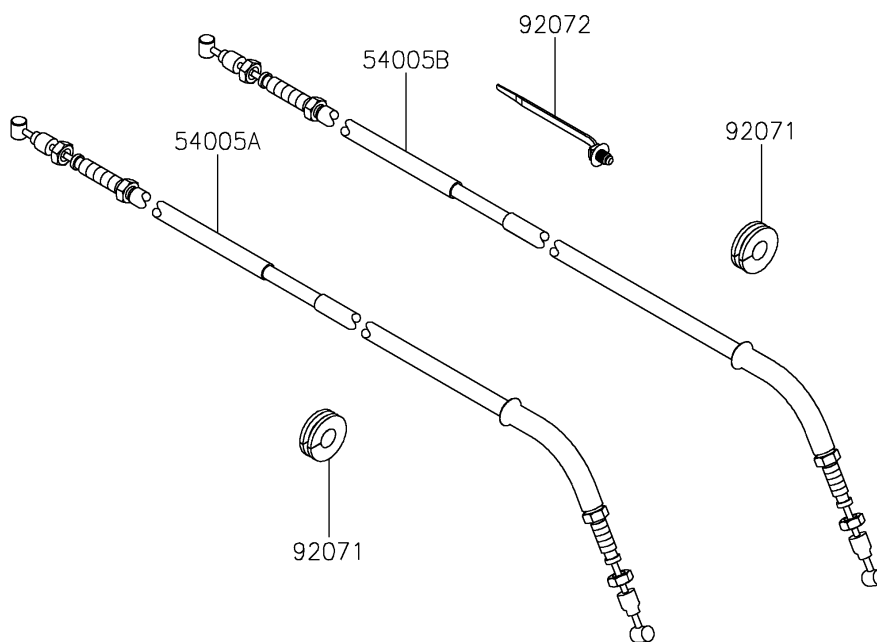
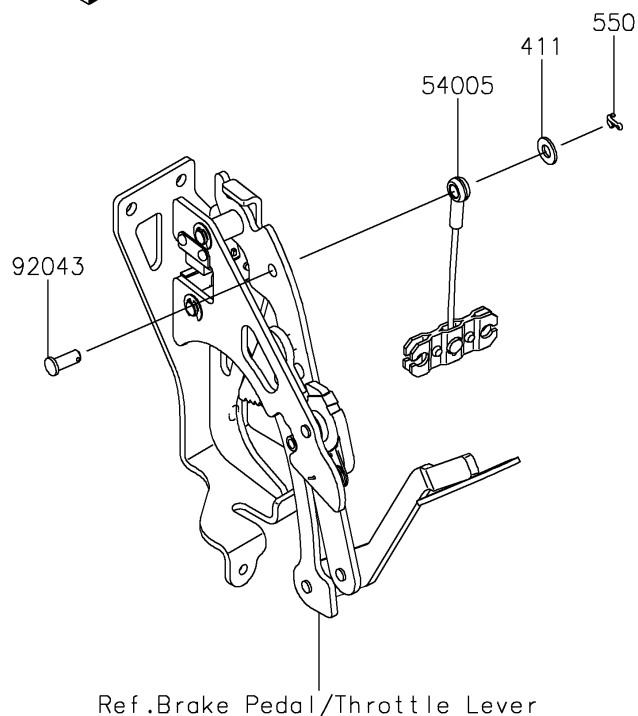
## PARTS DIAGRAM

### Cables

**Kawasaki**

Let the Good Times Roll®

F2540



# 2025 Ridge Ranch Edition

## PARTS LIST

### Cables

**ITEM NAME**

**PART NUMBER**

**QUANTITY**

---