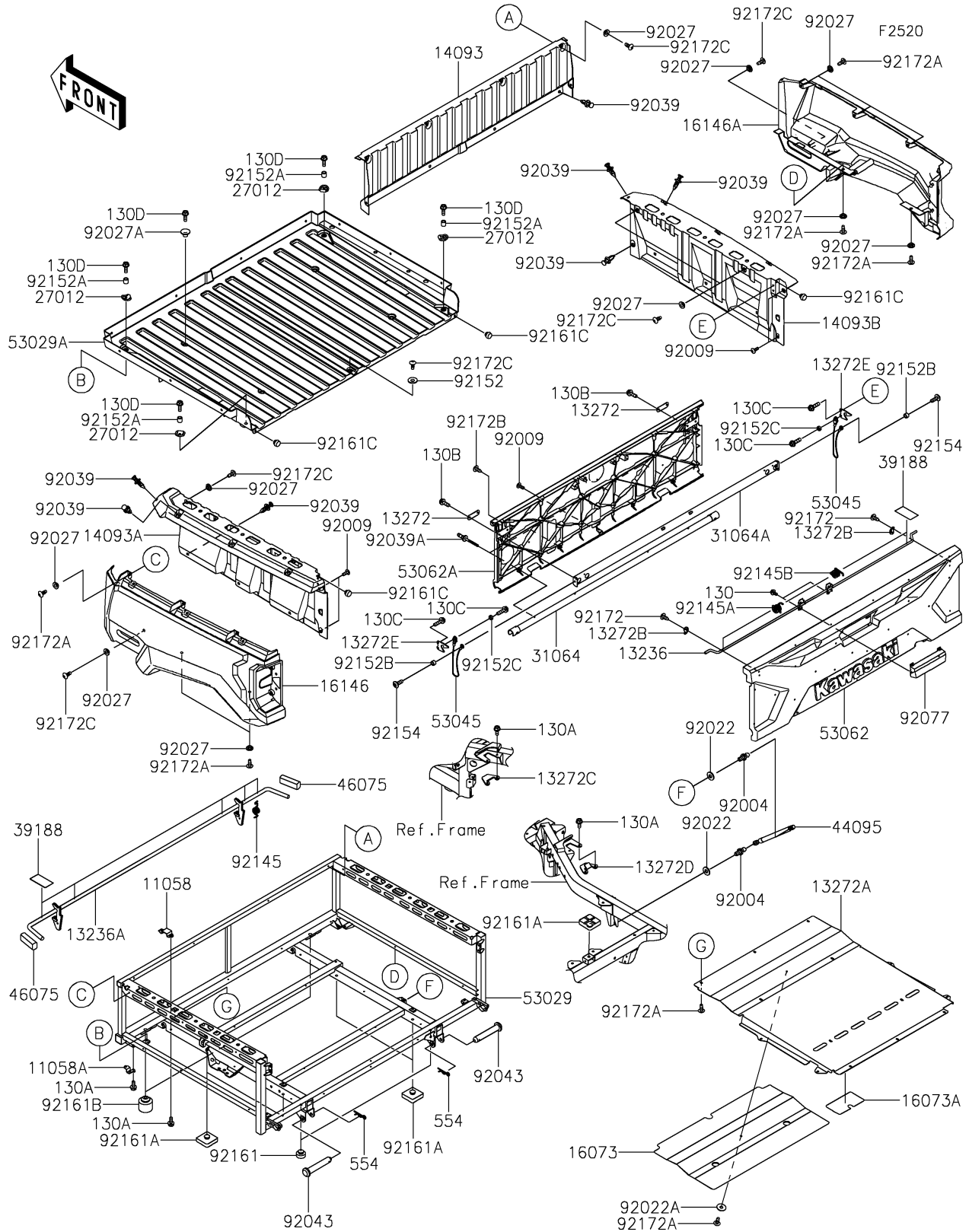


2025 Ridge Ranch Edition

PARTS DIAGRAM

Carrier(s)



2025 Ridge Ranch Edition

PARTS LIST

Carrier(s)

ITEM NAME

PART NUMBER

QUANTITY
