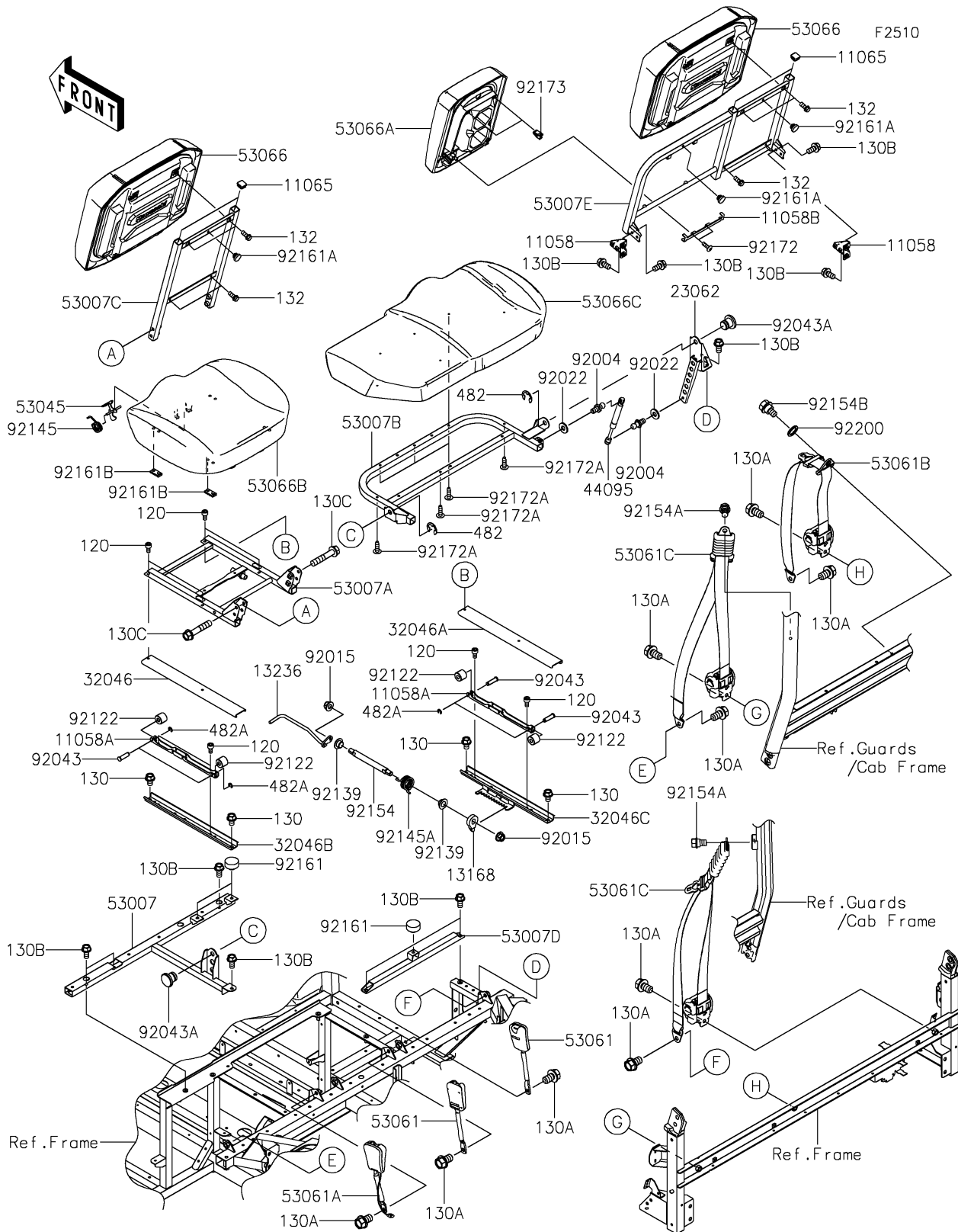


# 2025 Ridge Ranch Edition

## PARTS DIAGRAM

### Seat



# 2025 Ridge Ranch Edition

## PARTS LIST

Seat

**ITEM NAME**

**PART NUMBER**

**QUANTITY**

---